

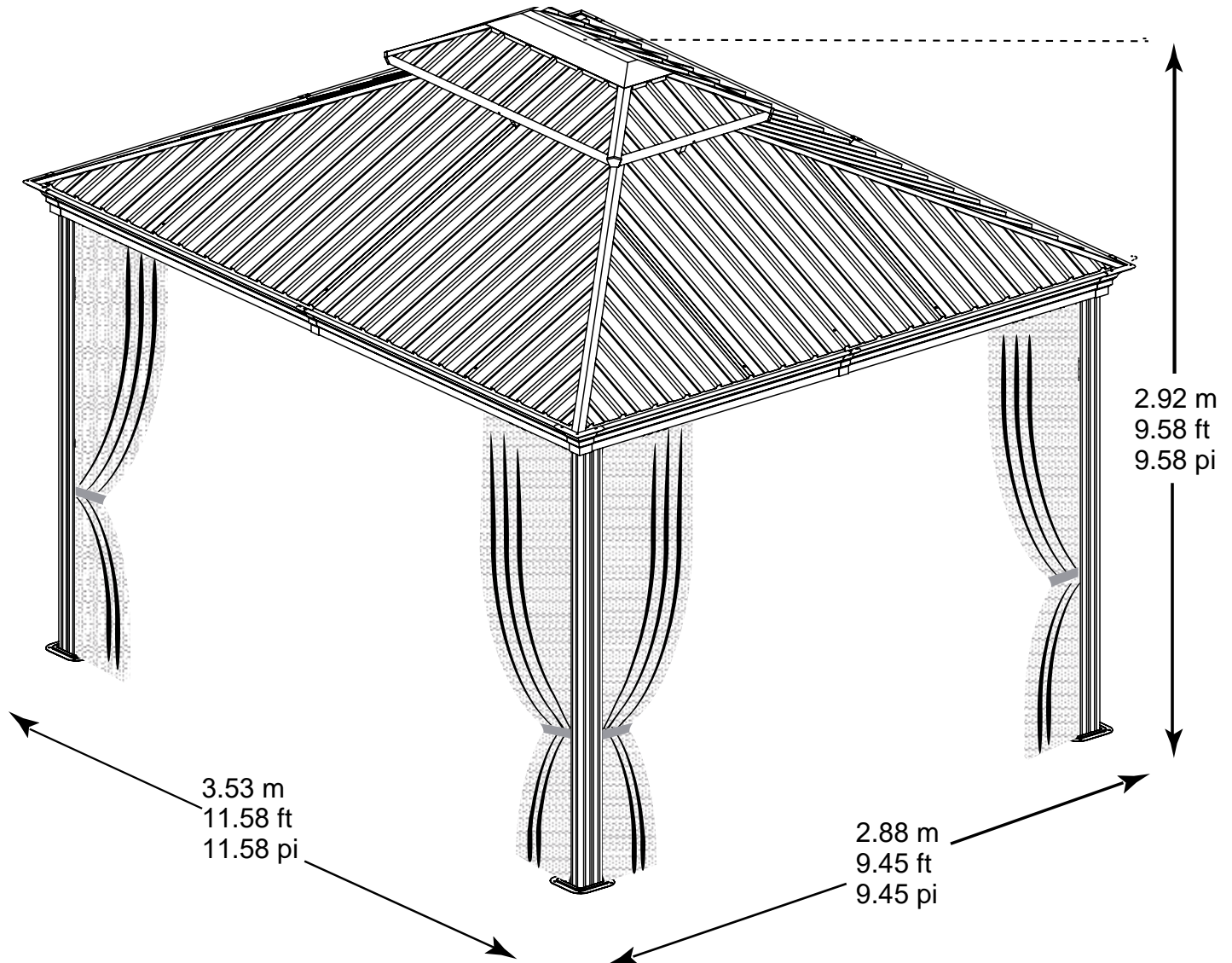
SOJAG

Sojag code : 500-9162370
CUP/UPC code : 772830162370
ITM. /ART. 1902387
QUESTIONS? 1 899-9900
costco@shelterlogic.com

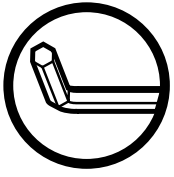
Assembly Manual / Guide d'assemblage / Manual de ensamblaje /

조립 설명서

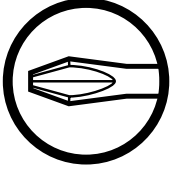
IMPORTANT, RETAIN FOR FUTURE REFERENCE: READ CAREFULLY
IMPORTANT, À CONSERVER POUR DE FUTURS BESOINS DE RÉFÉRENCE: À LIRE SOIGNEUSEMENT
IMPORTANTE, CONSERVE PARA FUTURA REFERENCIA: LEA CUIDADOSAMENTE
중요: 주의 깊게 읽고 나중에 참조할 수 있도록 보관하십시오



THIS ITEM IS INTENDED FOR OUTDOOR DOMESTIC USE ONLY. NOT FOR COMMERCIAL USE.
CET ARTICLE EST DESTINÉ À UN USAGE DOMESTIQUE EXTÉRIEUR UNIQUEMENT. NON CONÇU POUR UNE UTILISATION COMMERCIALE.
ESTE ARTÍCULO ES PARA USO DOMÉSTICO EN EXTERIORES SOLAMENTE. NO ES PARA USO COMERCIAL.
이 제품은 가정용 실외 전용입니다. 상업용이 아닙니다.



Use the hex keys provided in the box. / Utilisez les clés hexagonales fournies dans la boîte. / Utilice las llaves hexagonales incluidas en la caja. / 상자에 제공된 육각 키를 사용합니다.



Please use a Phillips screwdriver (not included). / Utilisez un tournevis de type Phillips (non inclus). / Por favor, use un destornillador Philips (no incluido). / 십자 드라이버(포함되지 않음)를 사용하세요.



You may need to use a drill for this step (not included). / Vous pouvez avoir besoin d'utiliser une perceuse pour cette étape (non incluse). / Puede que tenga que utilizar un taladro para este paso (no incluida). / 이 단계에서는 드릴을 사용해야 할 수도 있습니다(포함되지 않음).



Wearing protective gloves is recommended. / Le port de gants de protection est recommandé. / Se recomienda el uso de guantes de protección. / 보호 장갑 착용을 권장합니다.



Two or more people are required at this stage. / Deux personnes ou plus sont nécessaires à cette étape. / Para este paso se requieren dos o más personas. / 이 단계에서는 두 명 이상이 필요합니다.



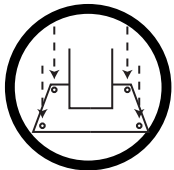
Hand tighten, do not tighten screws all the way for now. / Ne pas visser fermement pour l'instant. / No atornille con firmeza por ahora. / 지금은 나사를 끝까지 조이지 말고 손으로 조입니다.



Sold separately. / Vendus séparément. / Se vende por separado. / 별도 판매됩니다.

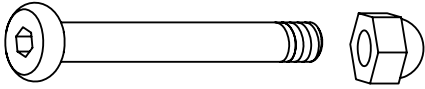


Optional step / Étape optionnelle / Paso opcional / 선택적 단계입니다.

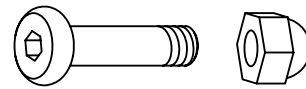


The gazebo must be anchored (hardware not included) / Le gazébo doit être ancré (quincaillerie non incluse) / El gazebo debe estar anclado (herramientas no incluidas) / gaze보를 고정해야 합니다(하드웨어는 포함되지 않음).

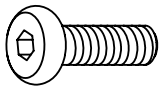
S X 12 (EXTRA 2 pcs)



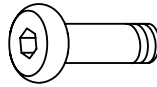
T X 64 (EXTRA 7 pcs)



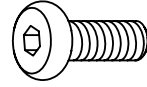
U X 17 (EXTRA 2 pcs)



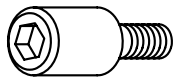
U1 X 4 (EXTRA 1 pcs)



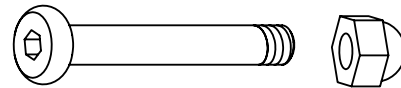
V X 220 (EXTRA 10 pcs)



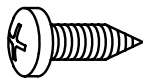
X X 16 (EXTRA 2 pcs)



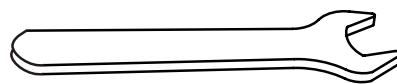
X1 X 8 (EXTRA 2 pcs)



Y X 24 (EXTRA 5 pcs)



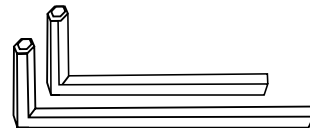
W2 X 1

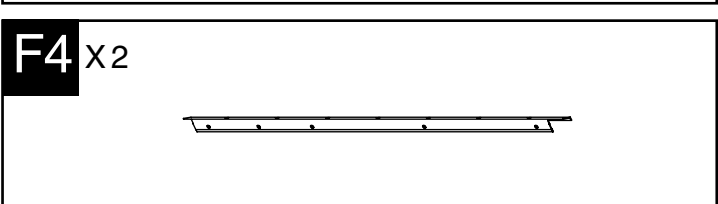
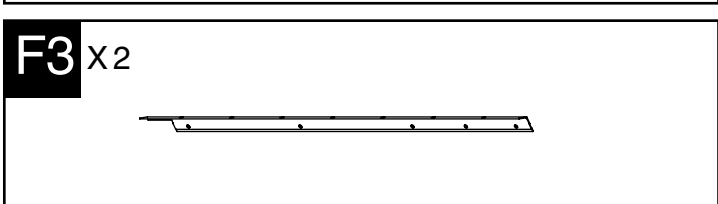
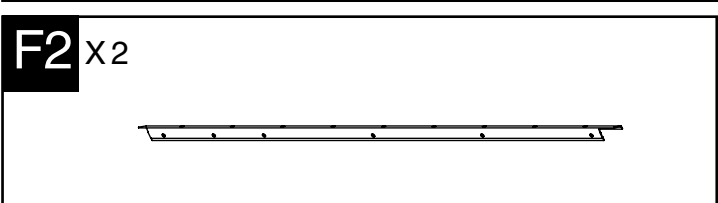
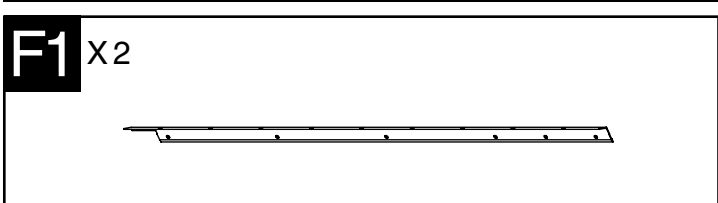
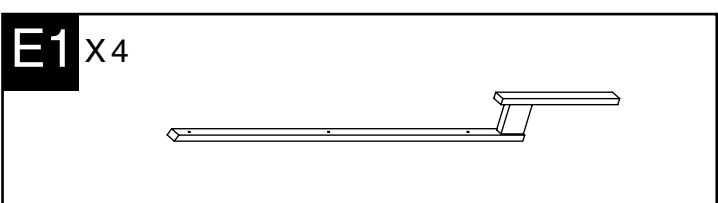
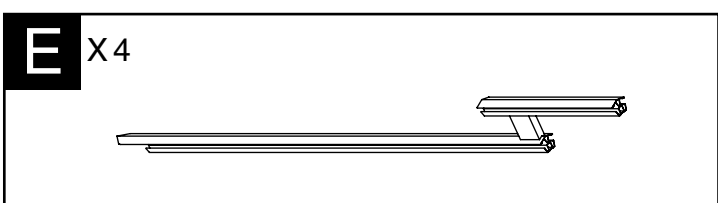
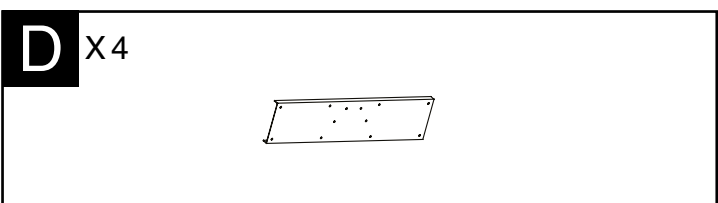
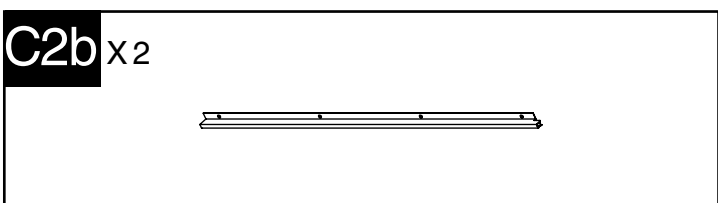
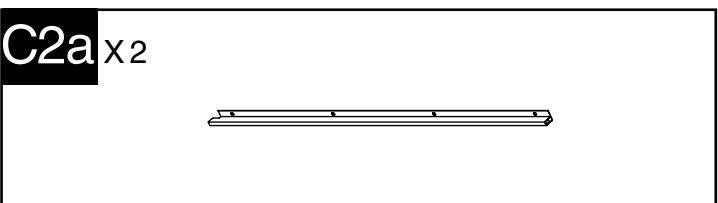
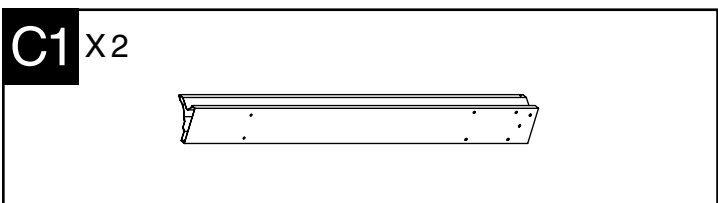
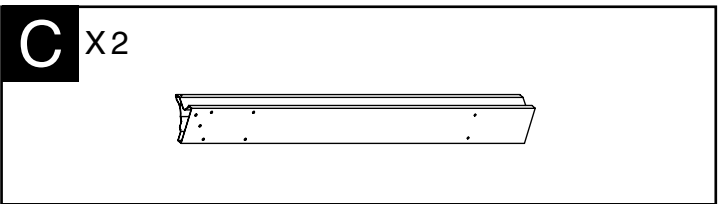
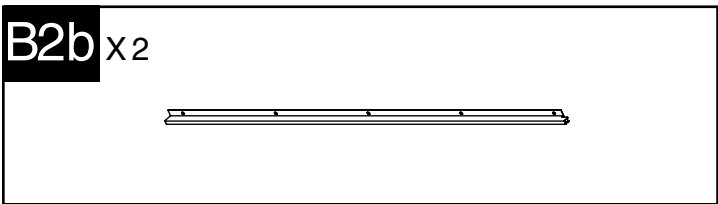
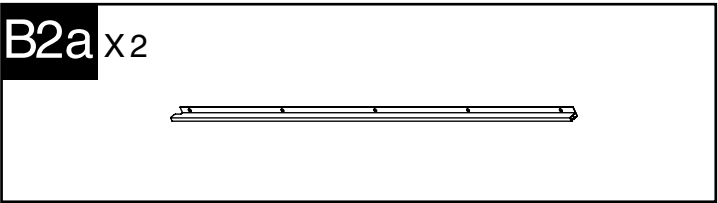
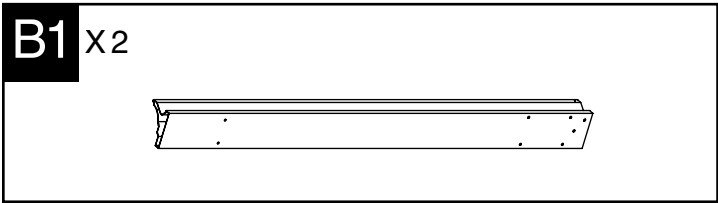
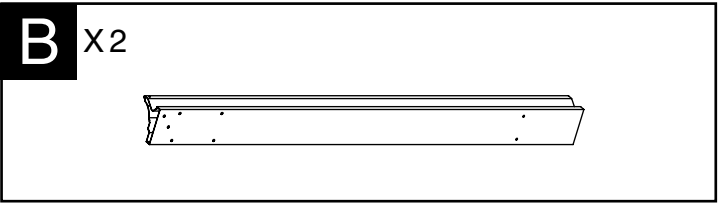
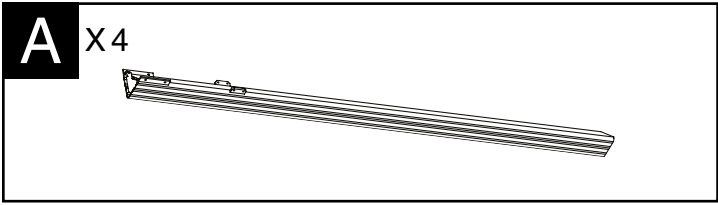


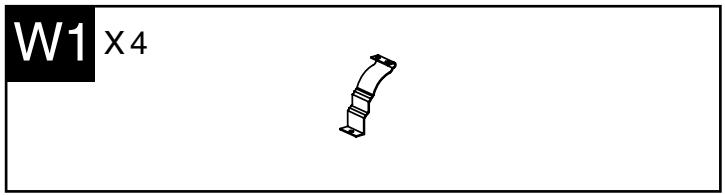
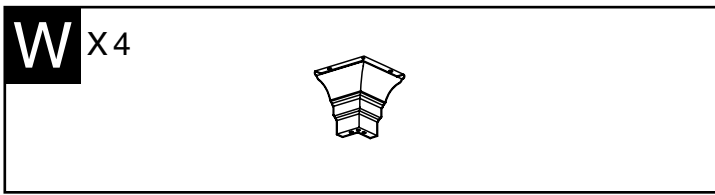
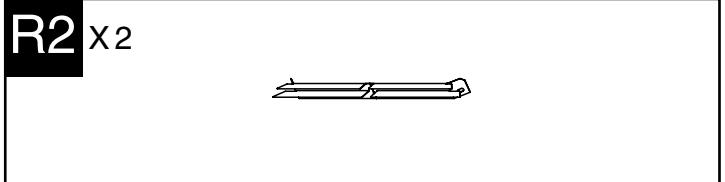
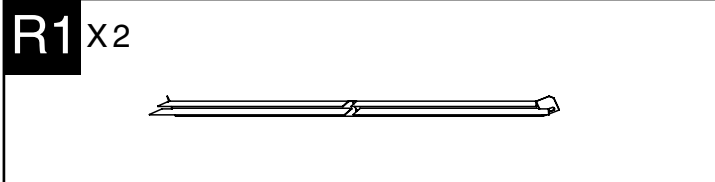
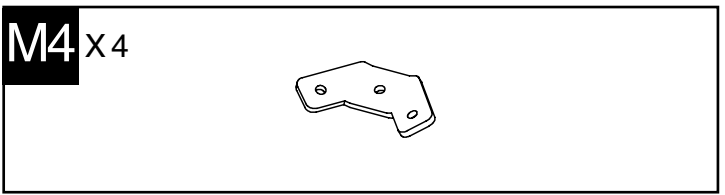
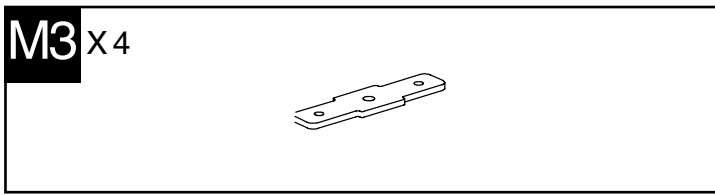
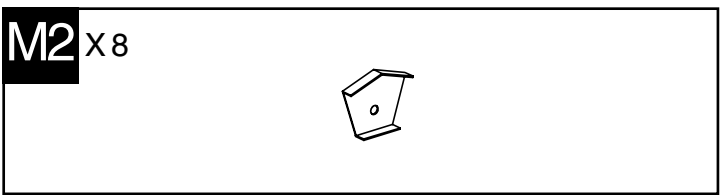
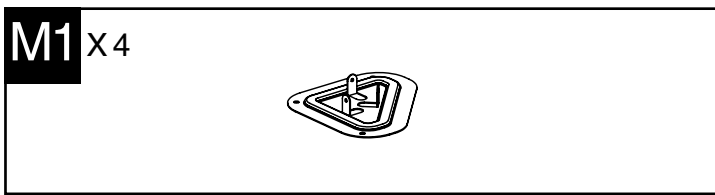
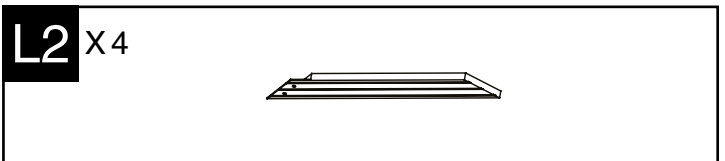
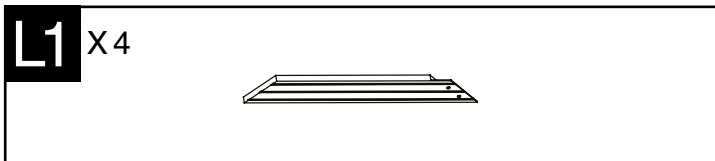
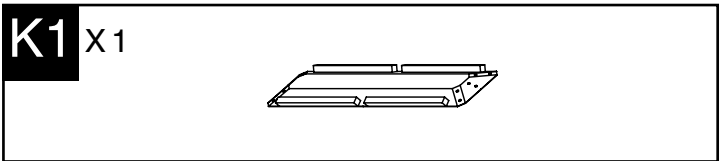
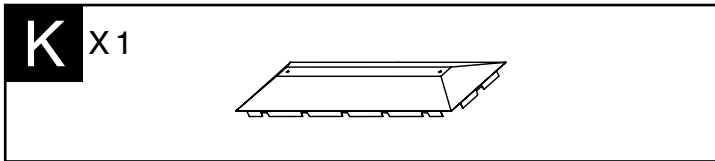
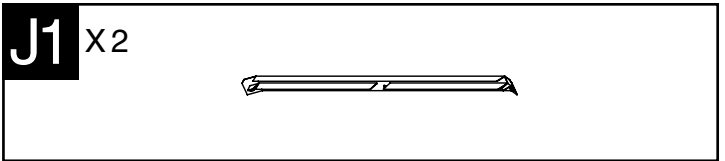
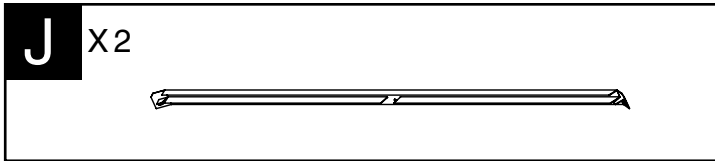
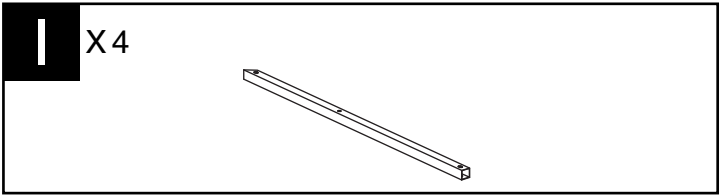
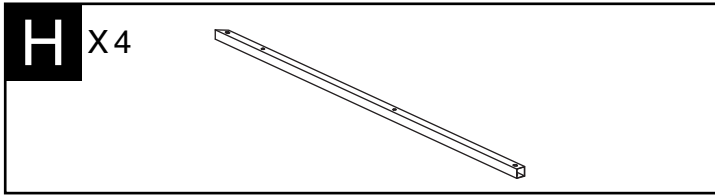
Wa X 2



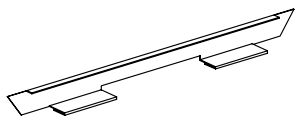
Z X 1







R X 56 (+2)



D1 X16(+1)



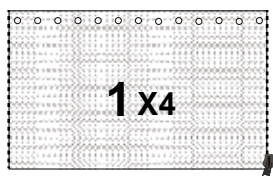
Zs X1



Q X 52 (EXTRA 3 pcs)



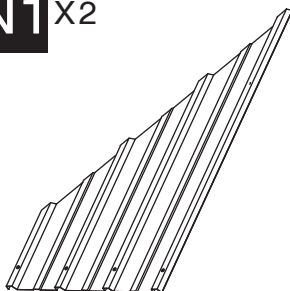
Net



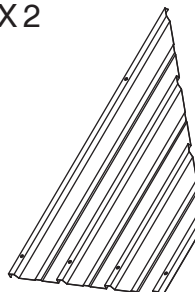
N X2



N1 X2



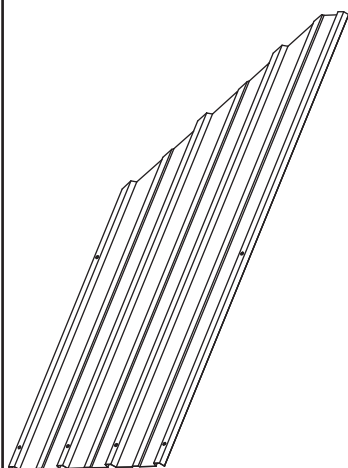
N6 X2



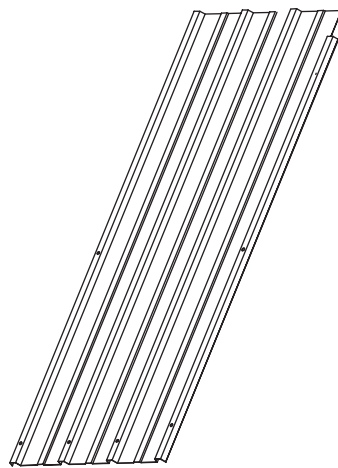
N7 X2



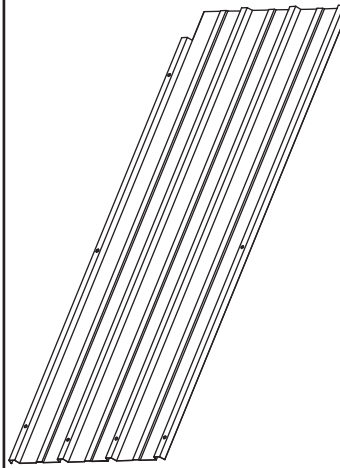
N2 X2



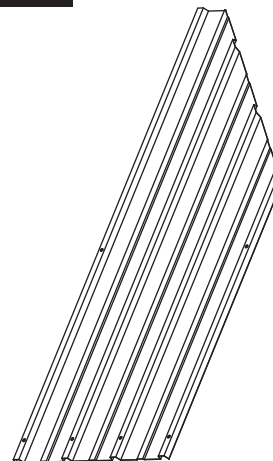
N3 X2

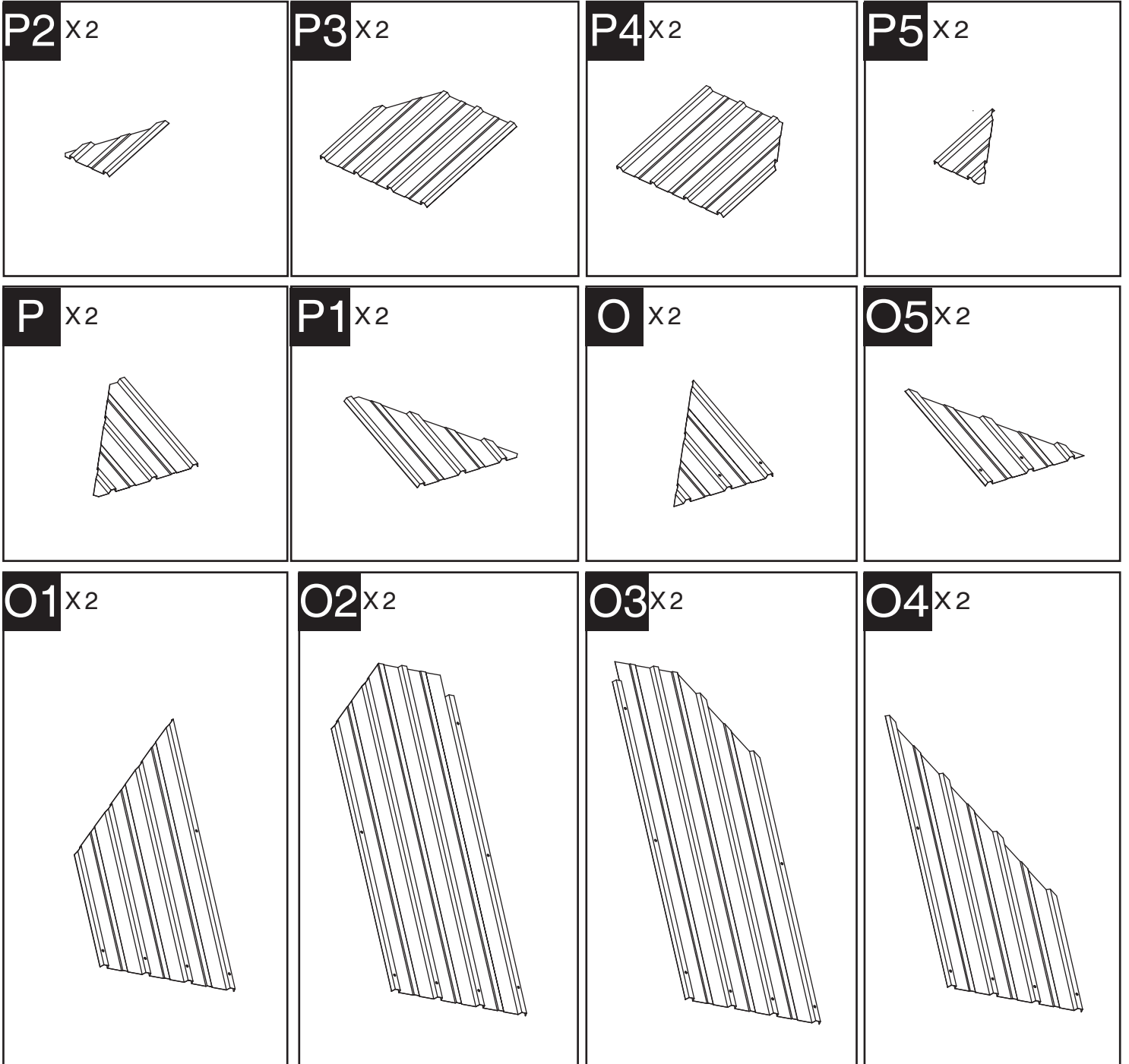


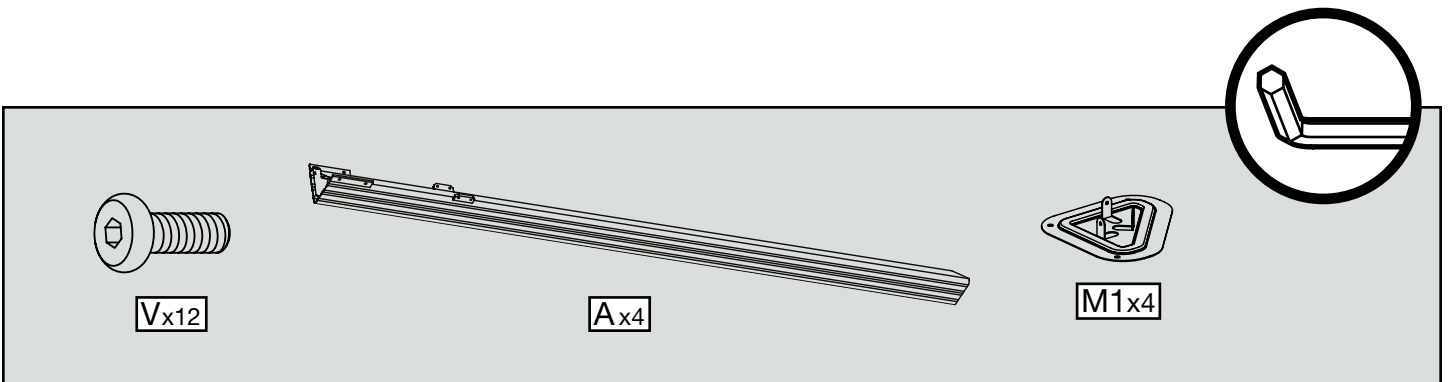
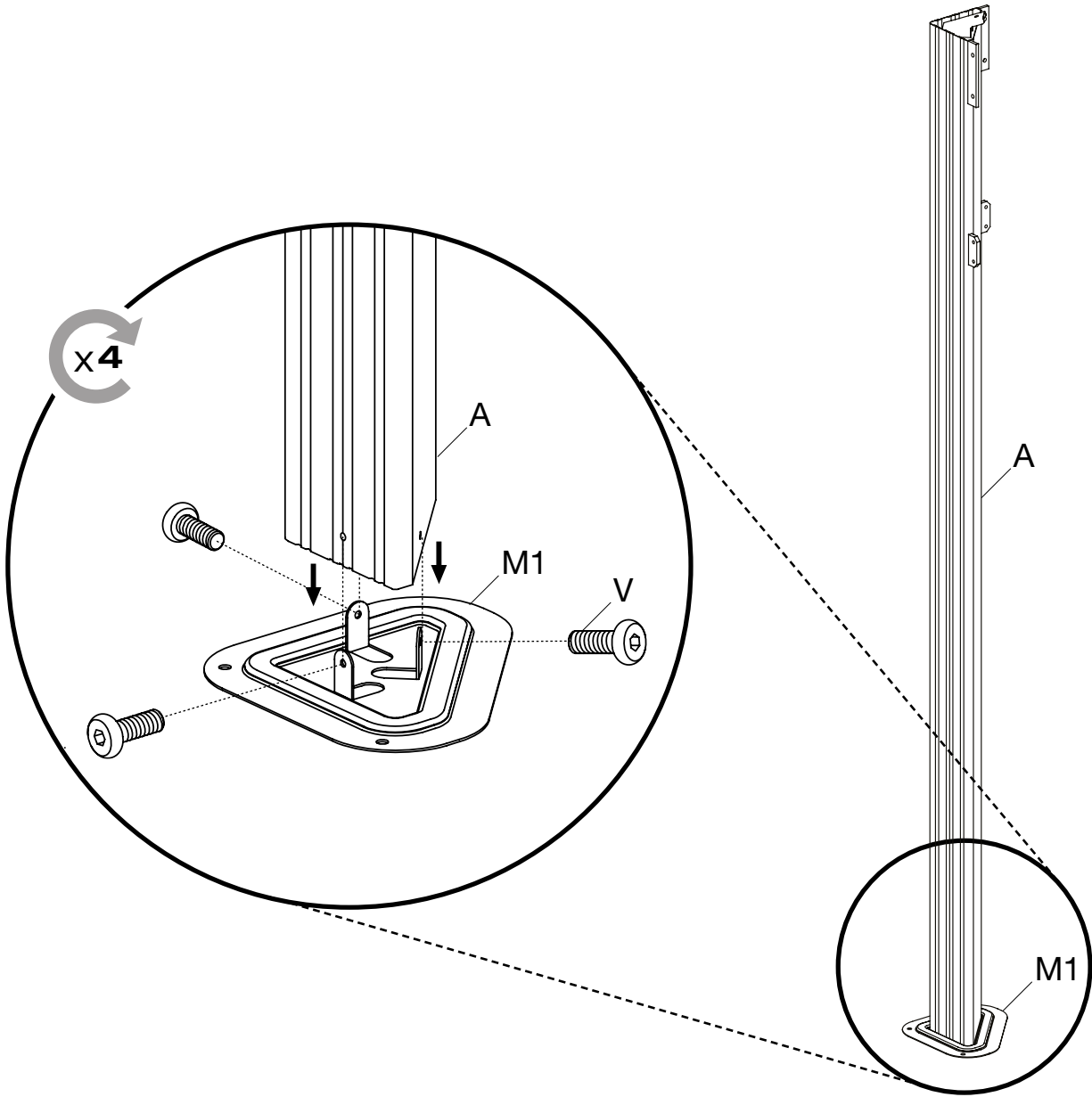
N4 X2

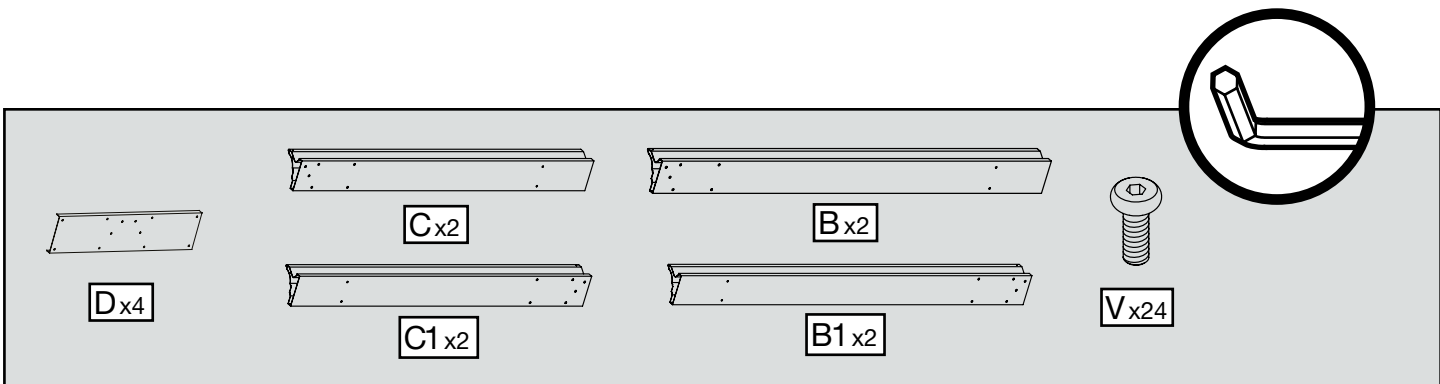
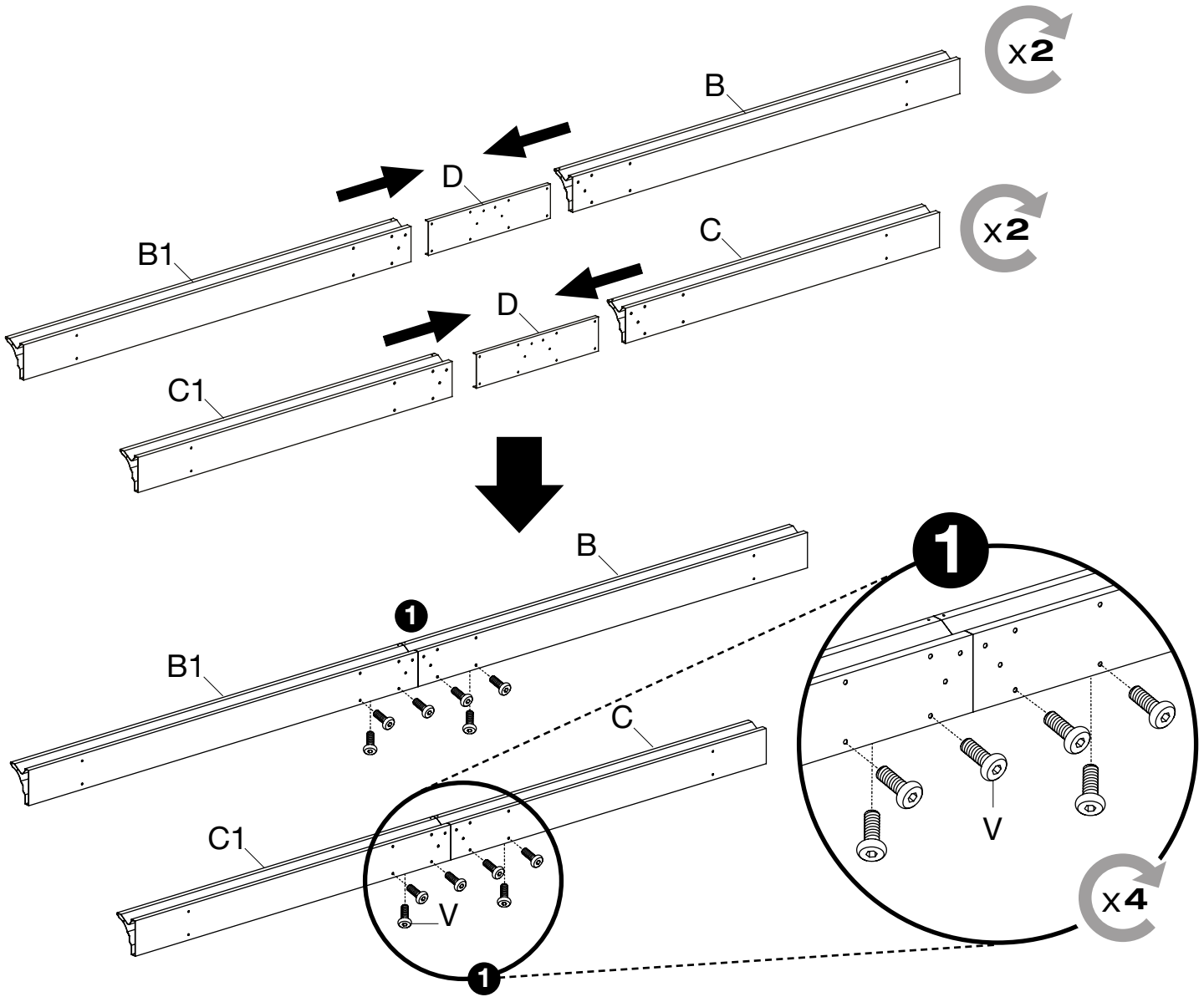


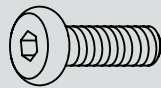
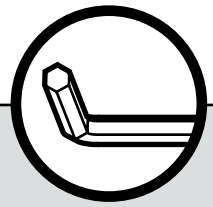
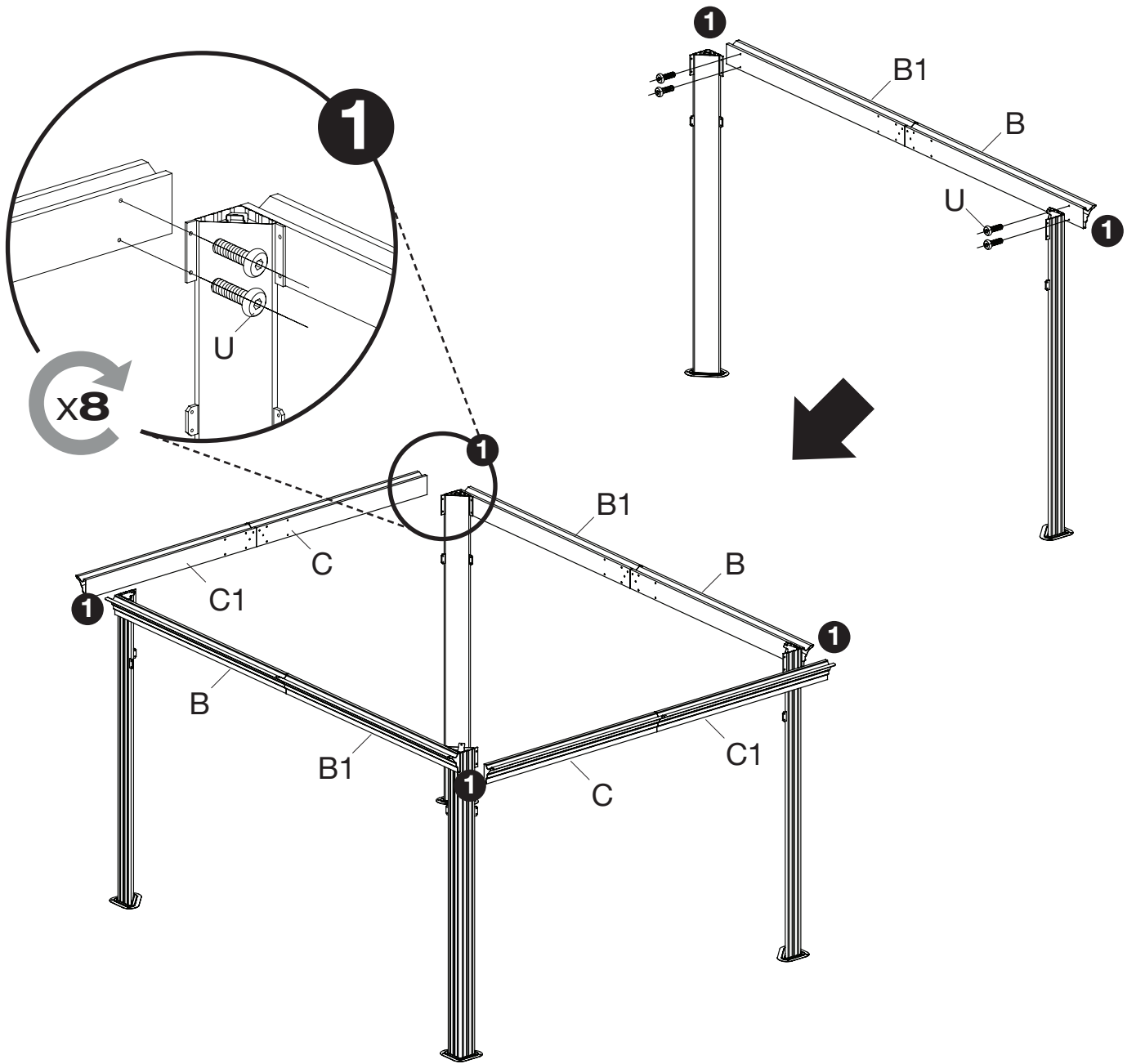
N5 X2



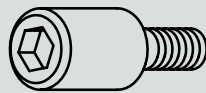
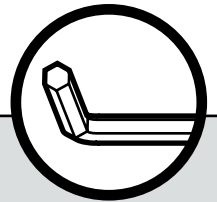
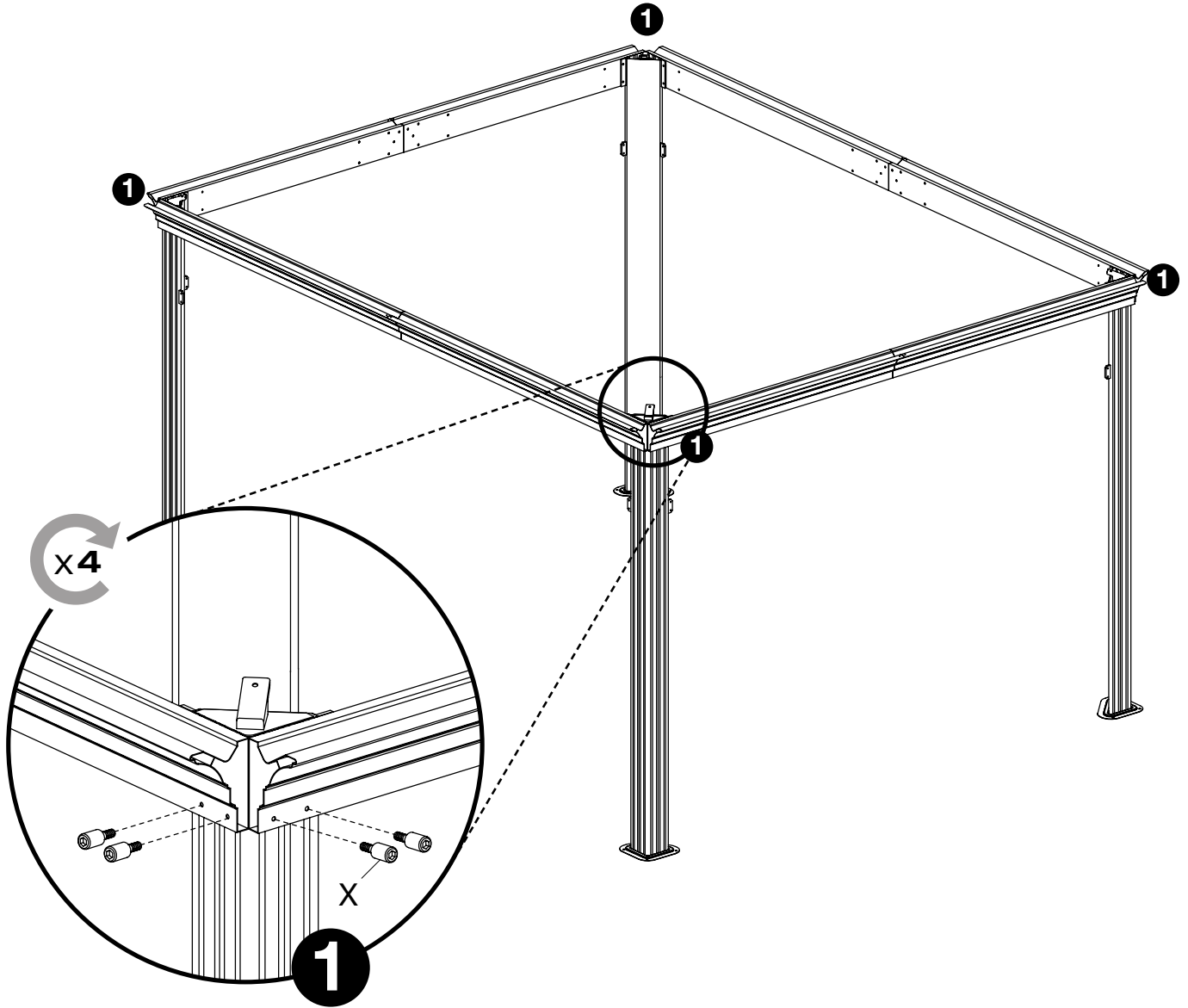




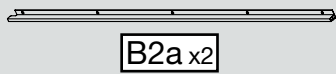
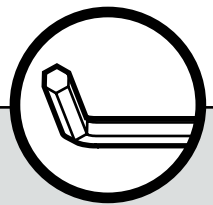
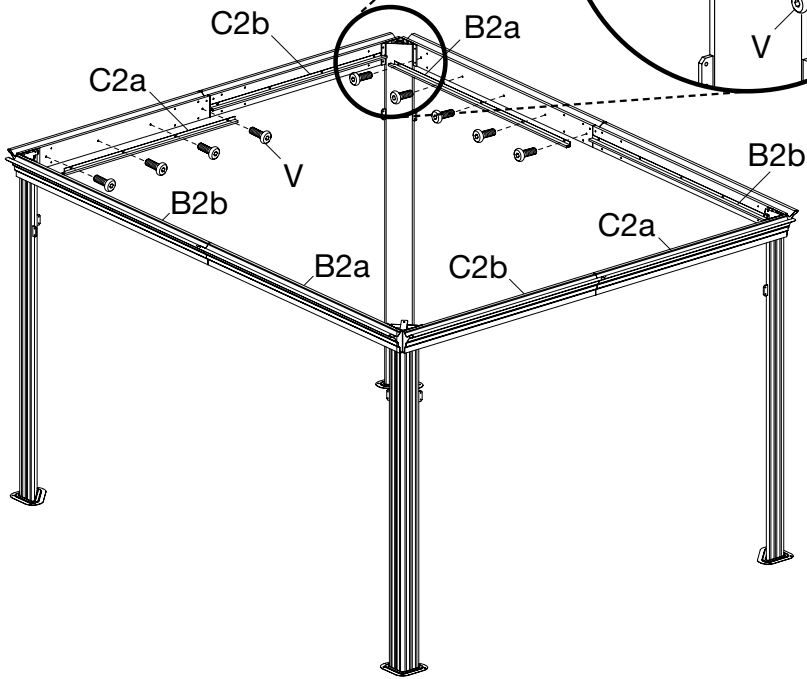
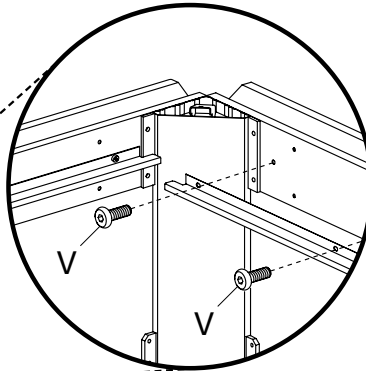
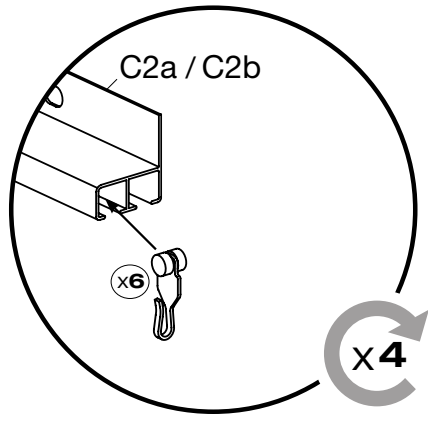
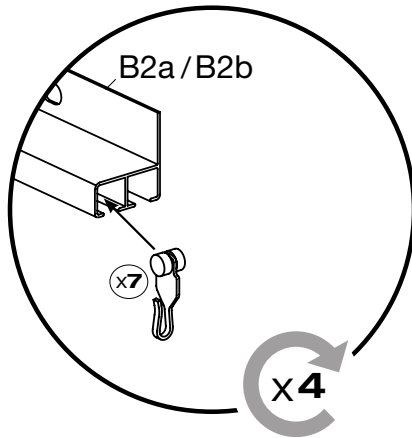




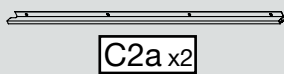
U x16



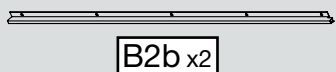
Xx16



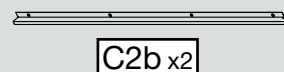
B2a x2



C2a x2



B2b x2



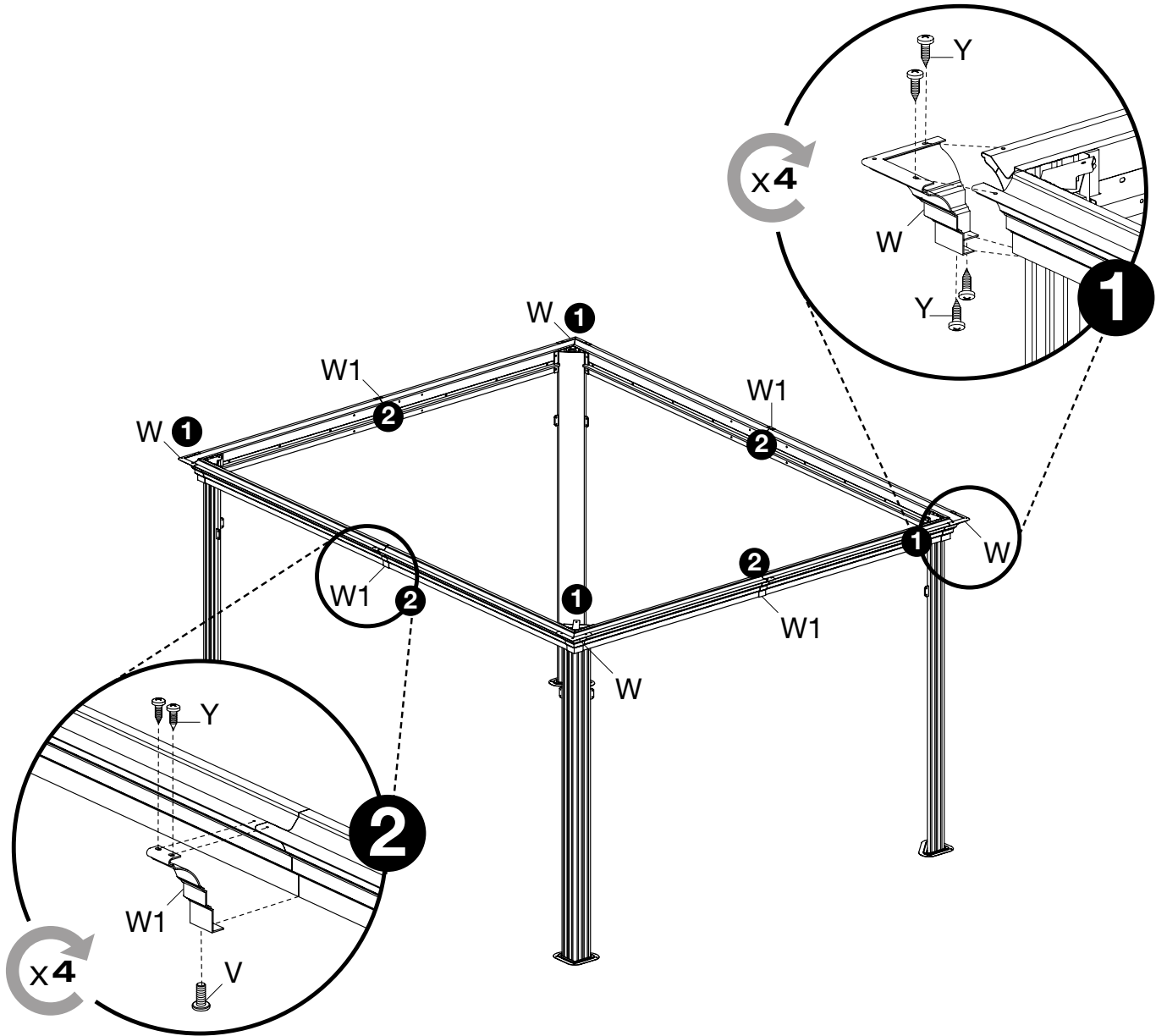
C2b x2



V x36



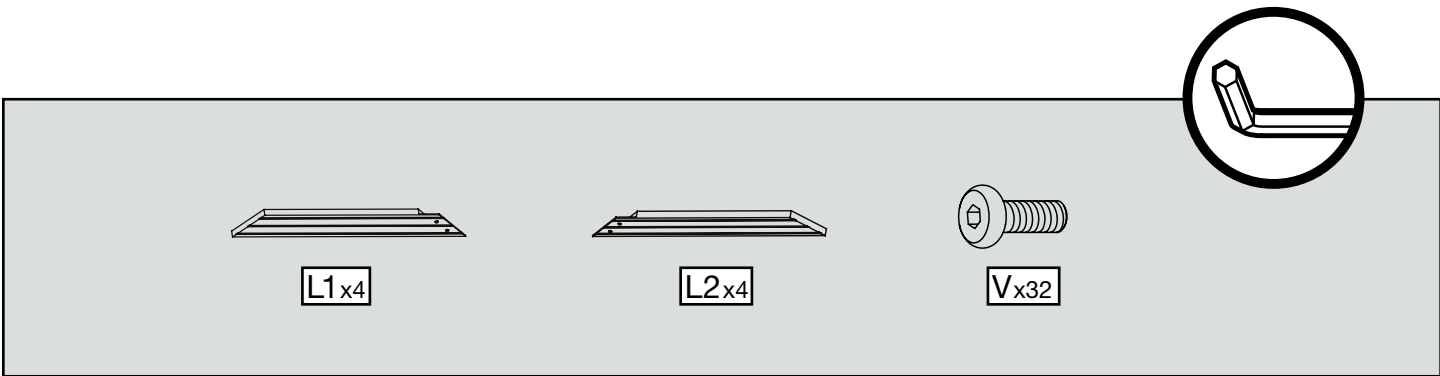
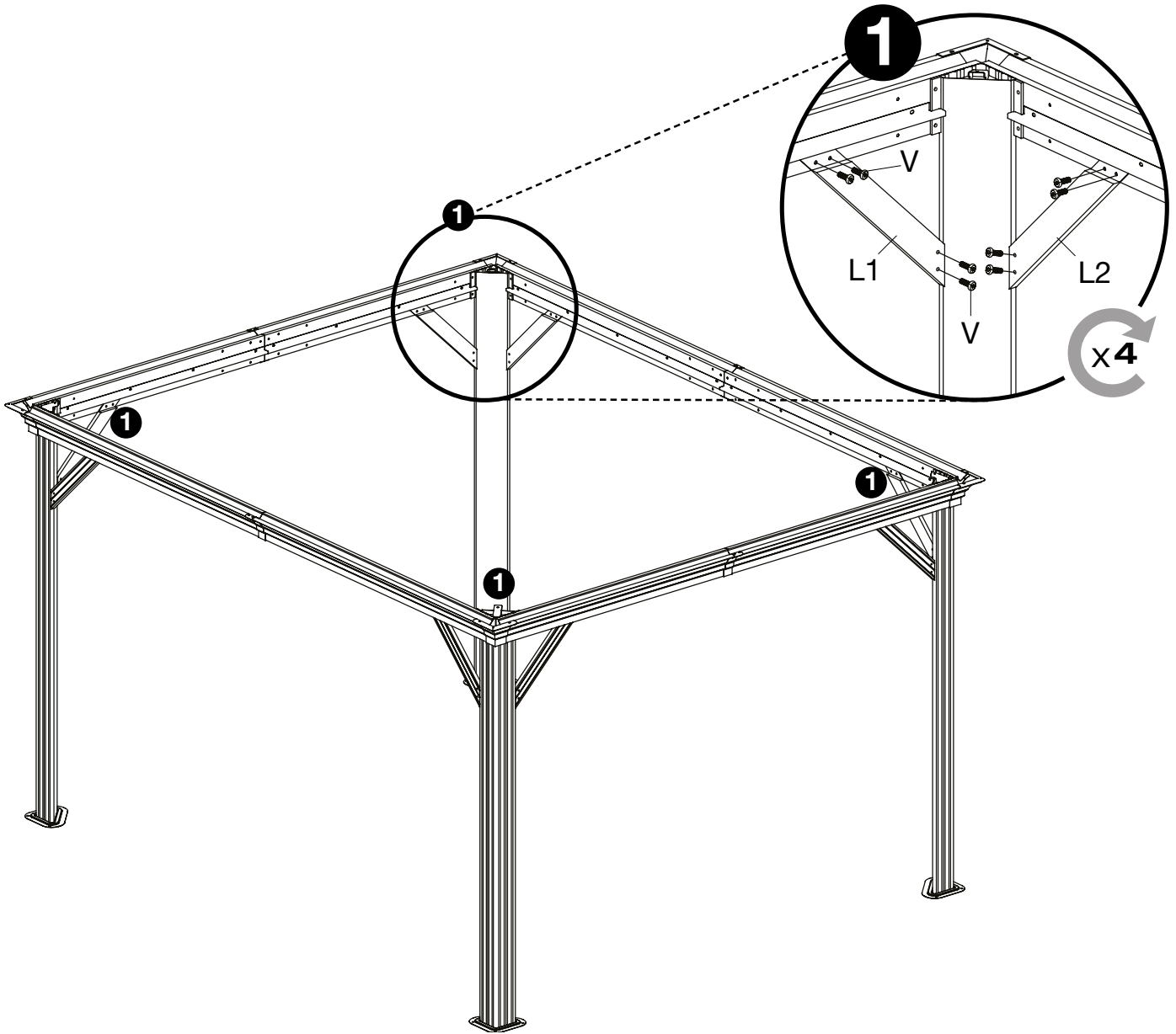
Q x52

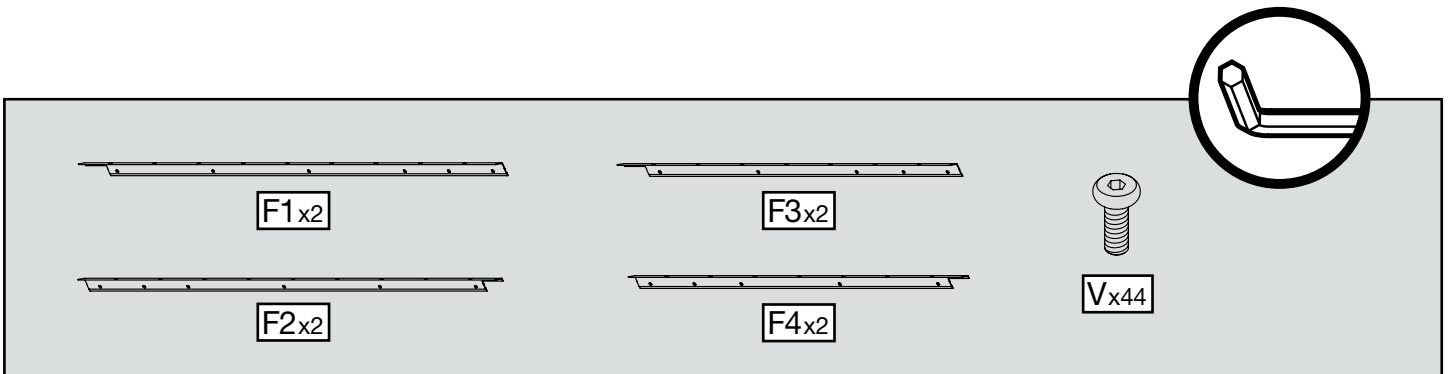
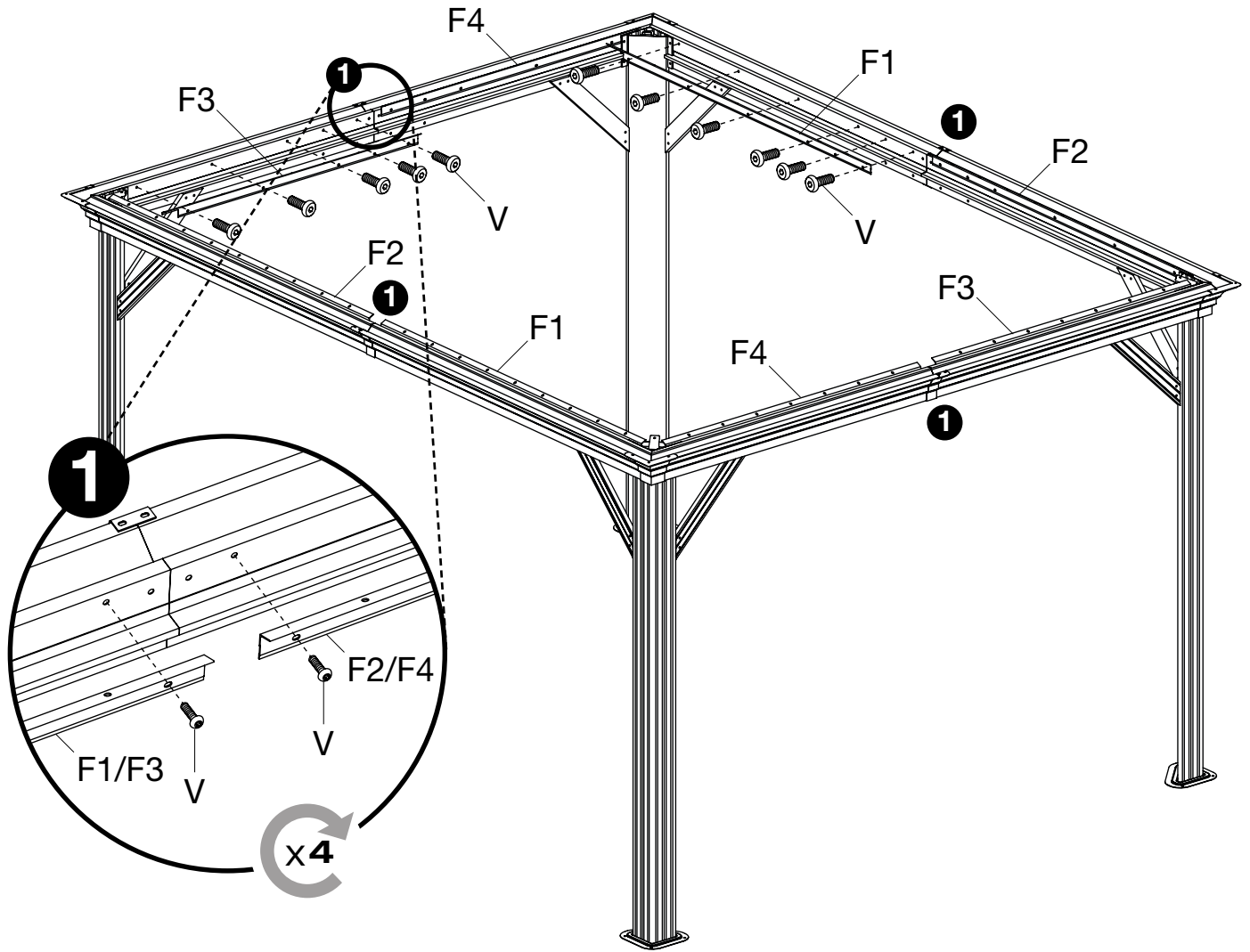


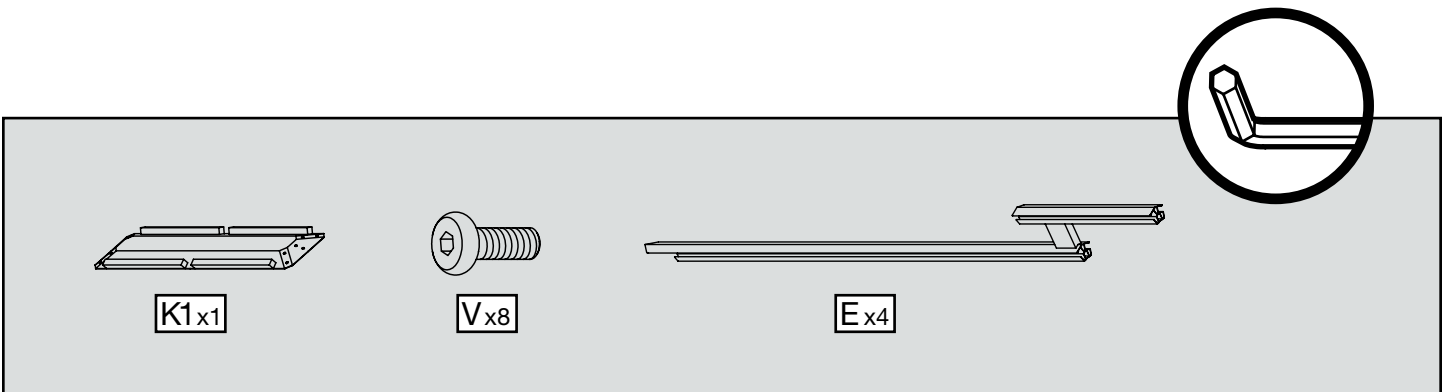
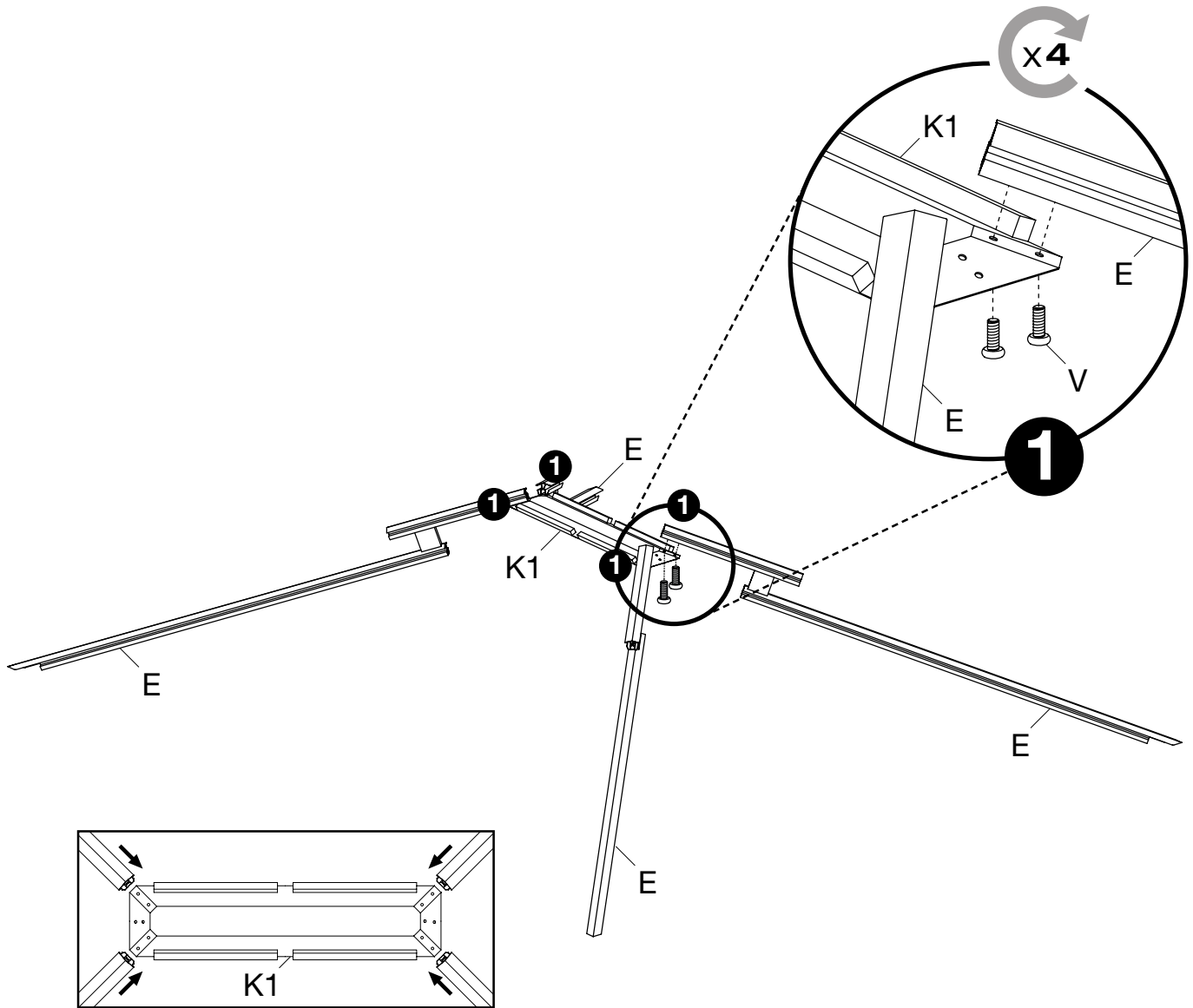
This section contains a parts list and tool icons. The parts list includes:

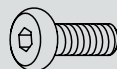
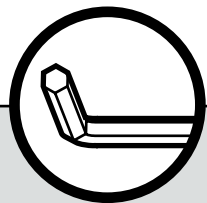
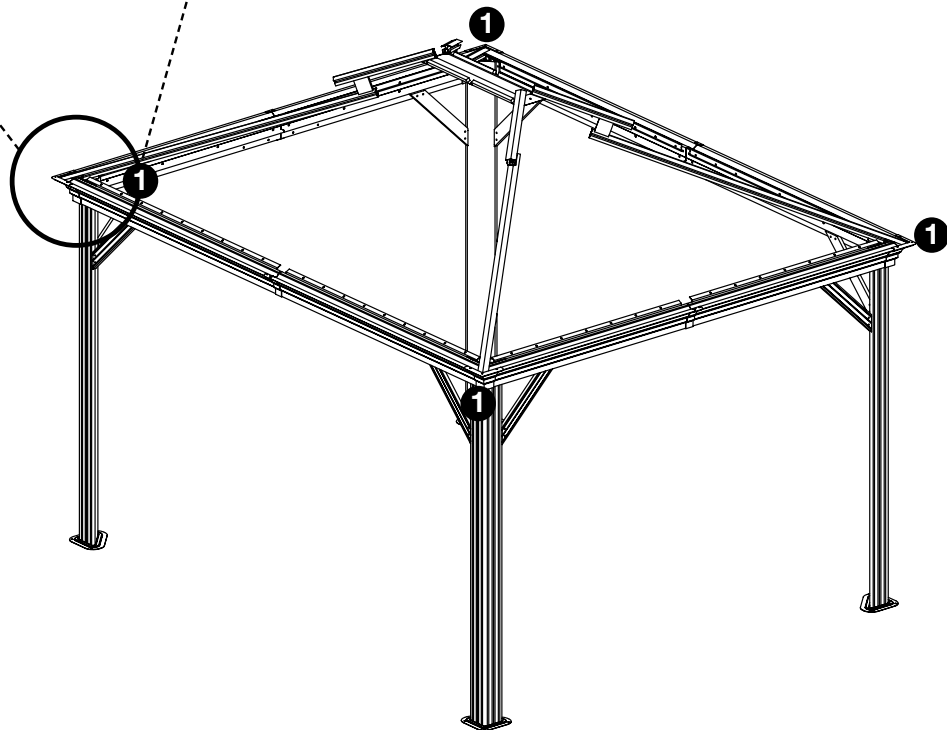
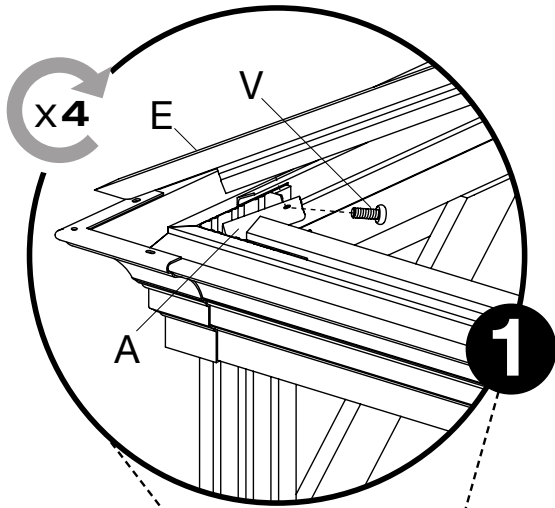
- W_{x4}**: A corner bracket.
- W1_{x4}**: A leg bracket.
- V_{x4}**: A screw.
- Y_{x24}**: A screw.

Below the parts list are two circular icons representing tools: a hex key and a flathead screwdriver.

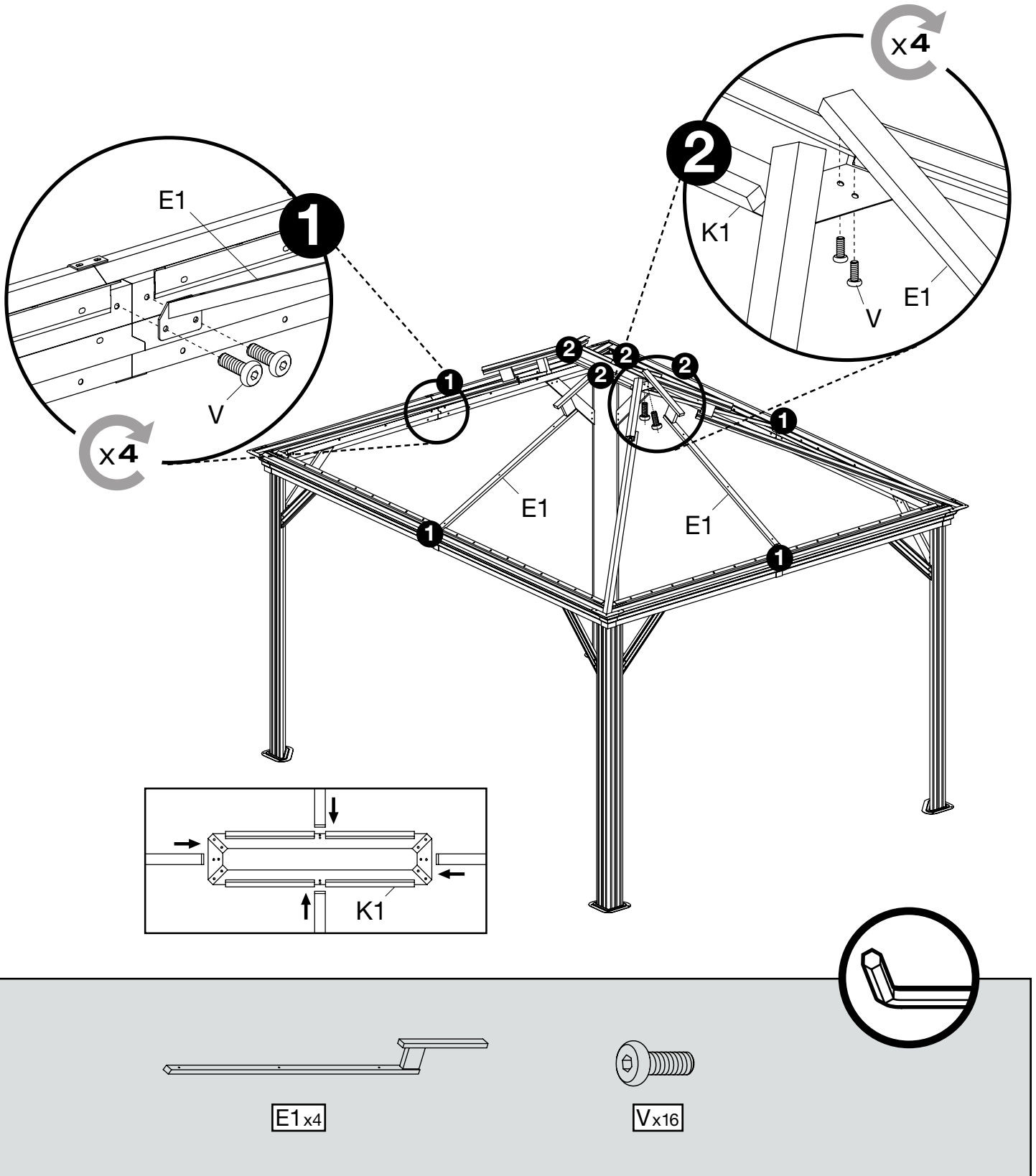


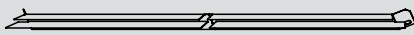
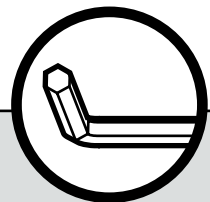
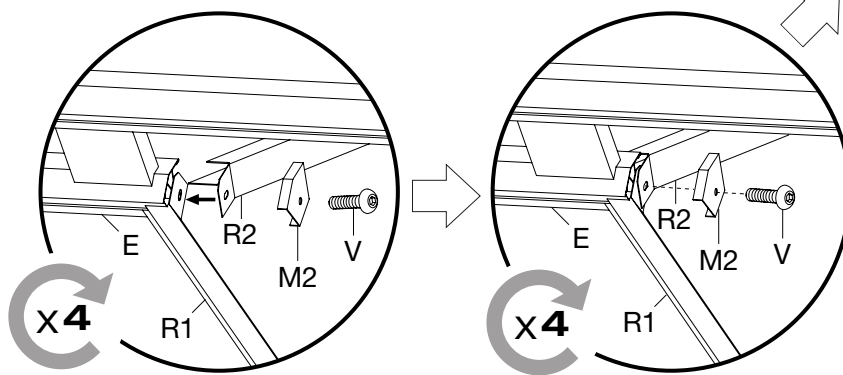
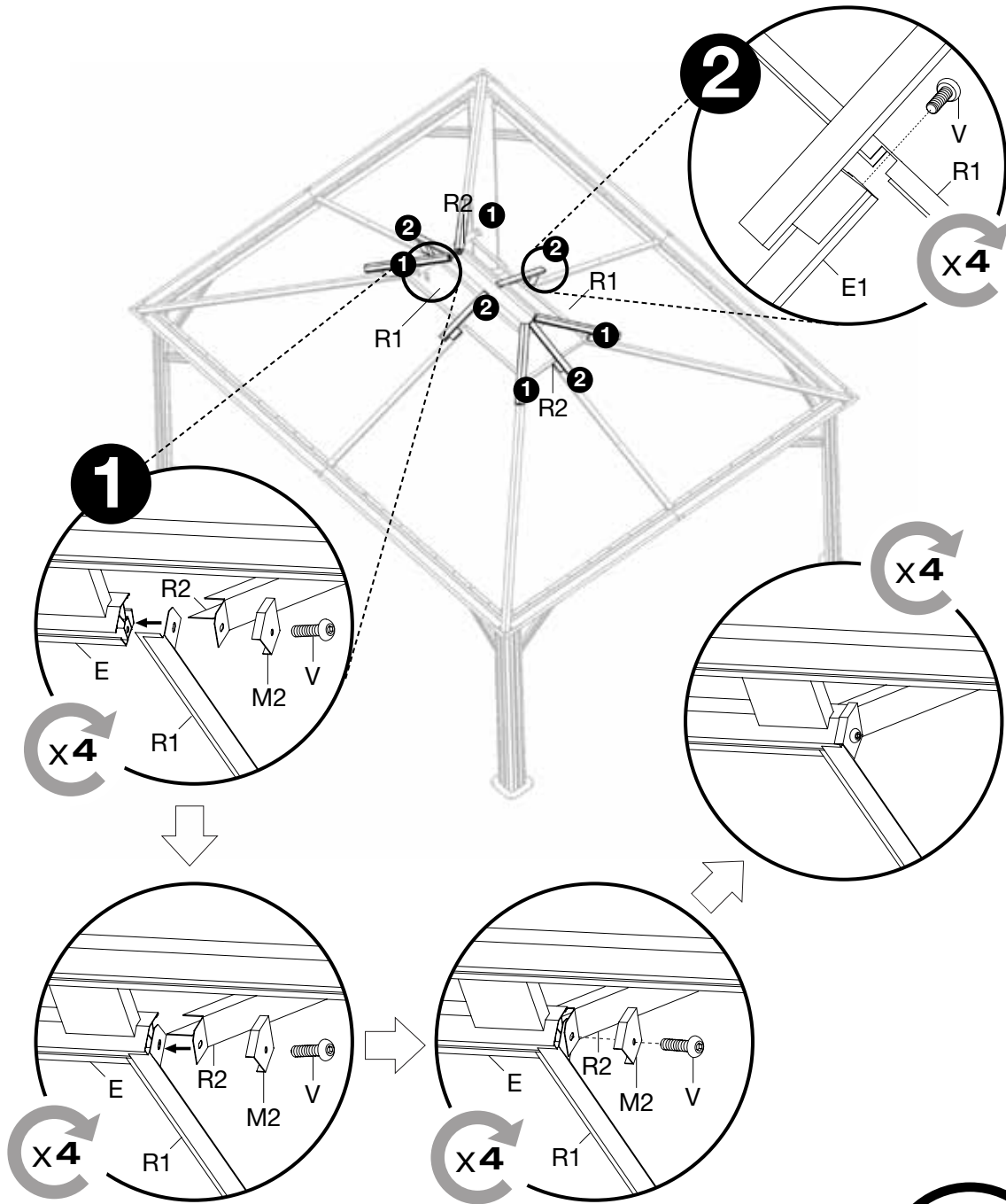




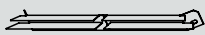


Vx4

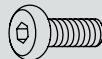




R1 x2



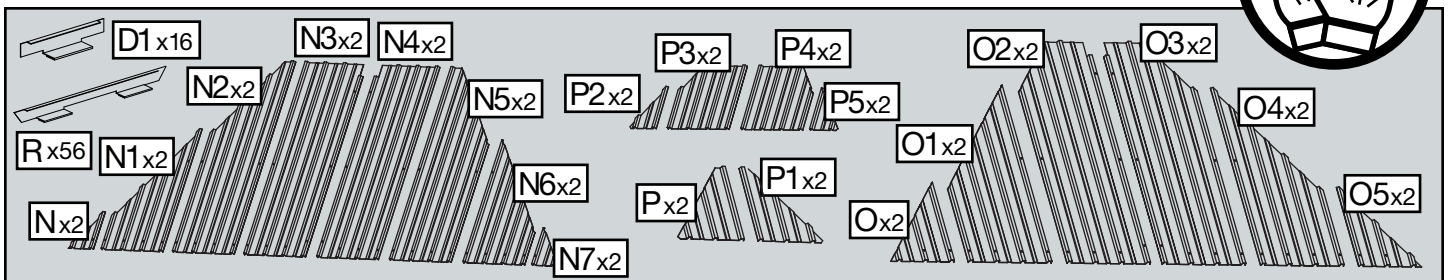
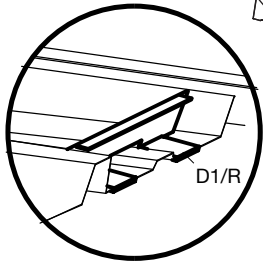
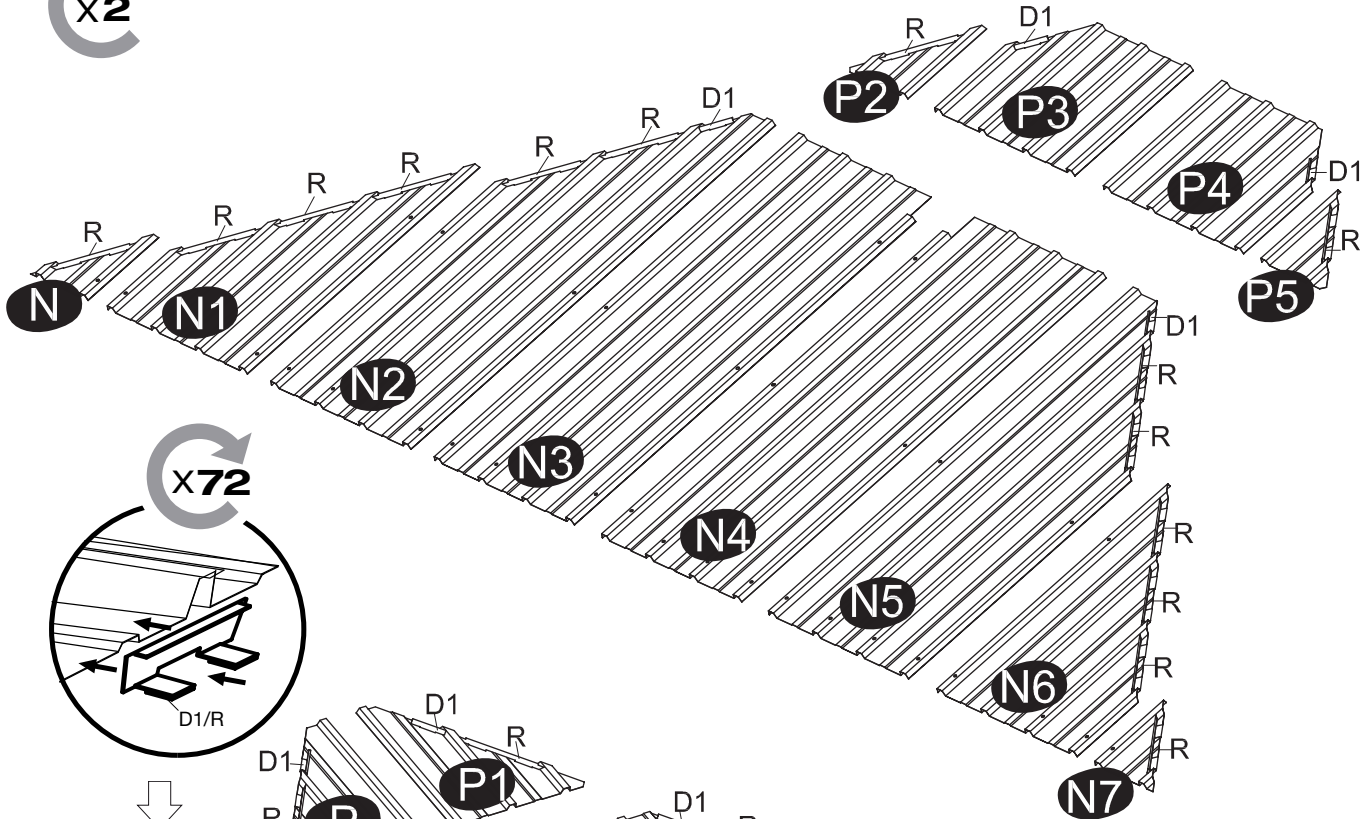
R2 x2

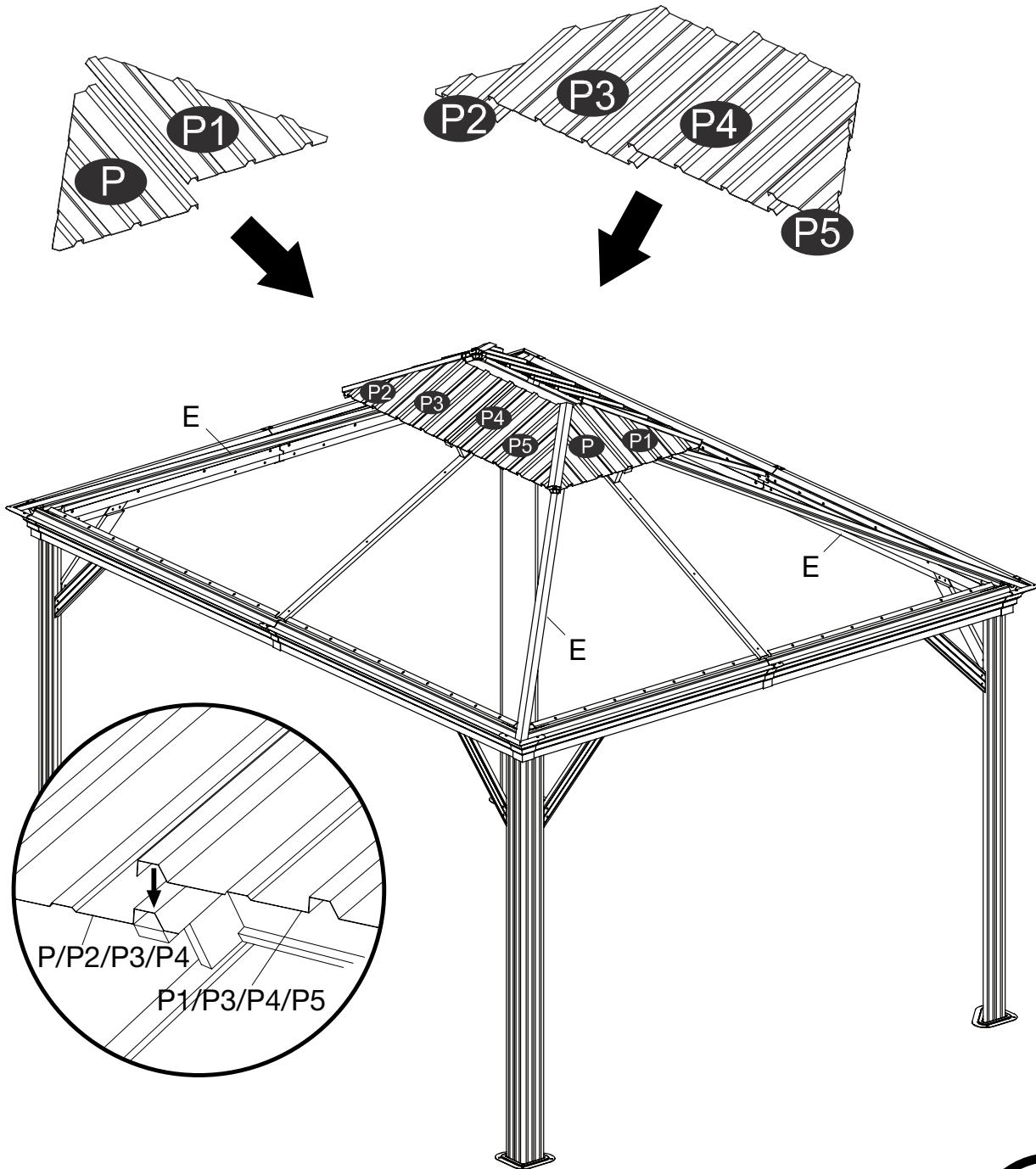
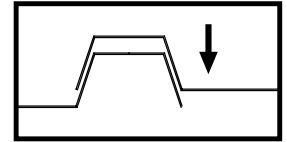


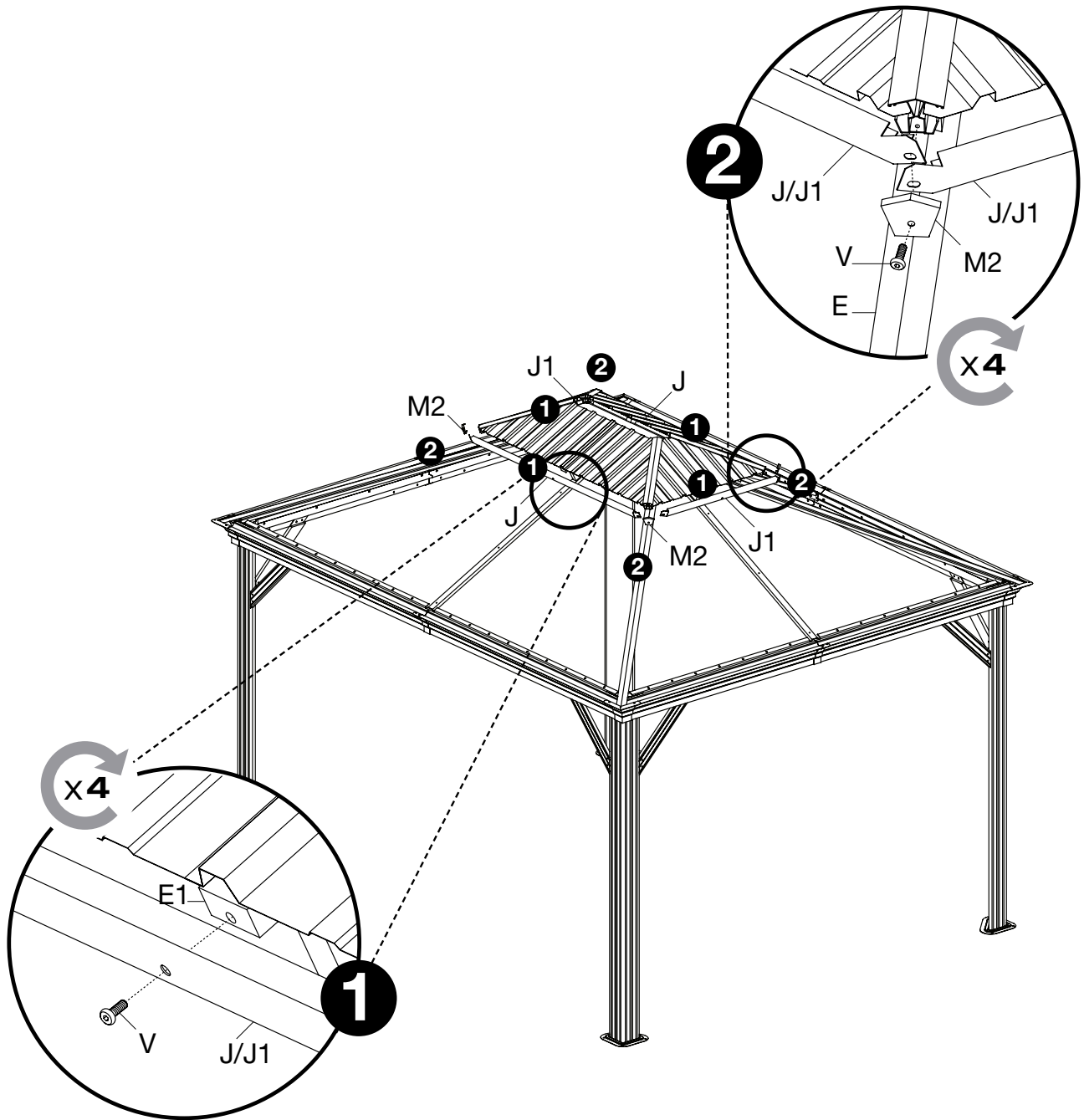
V x8



M2 x4

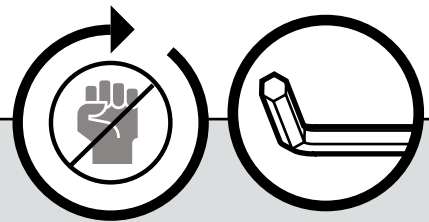
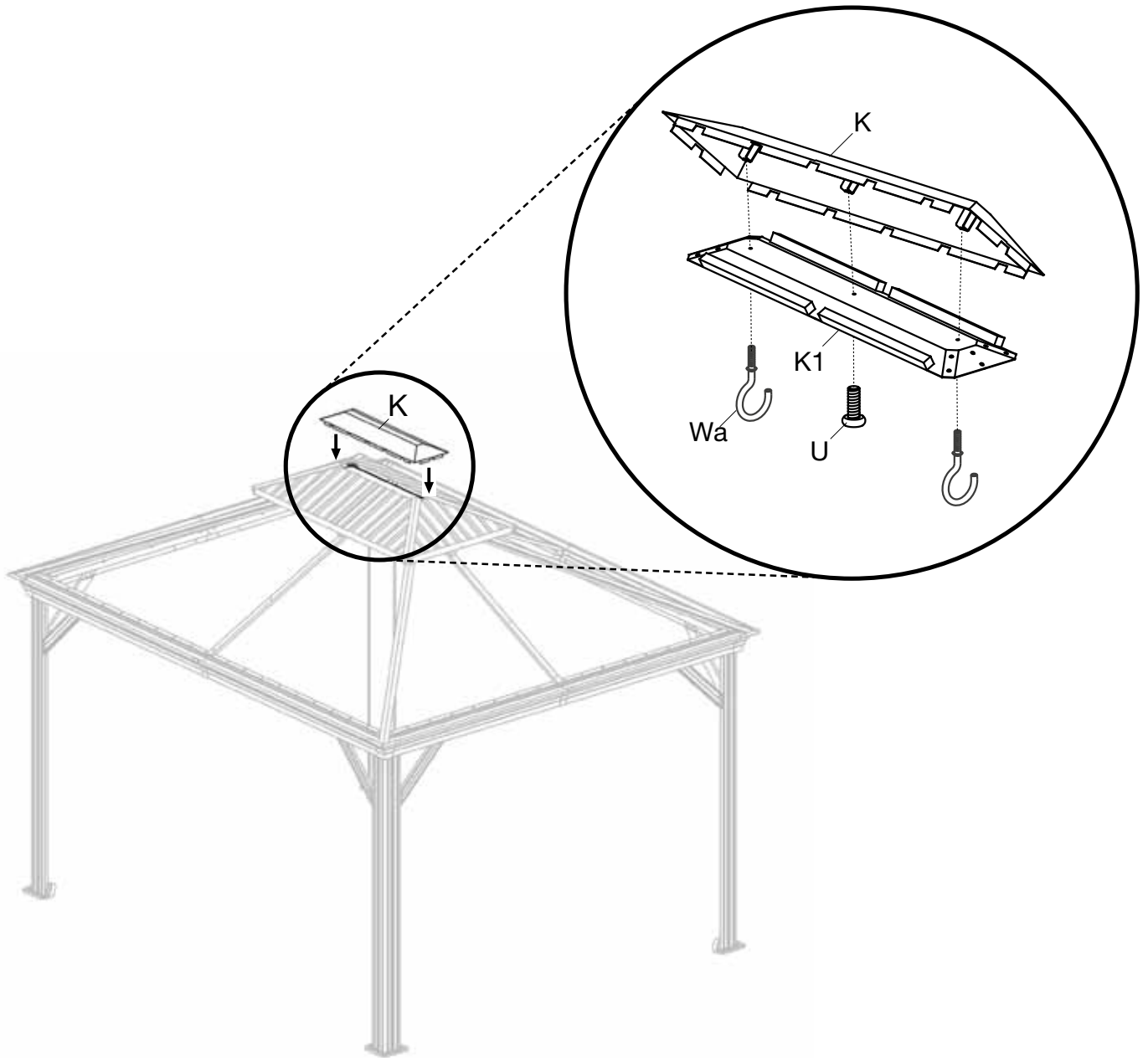






The parts list includes:

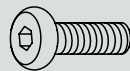
- Two long beams labeled **Jx2**.
- Two shorter beams labeled **J1x2**.
- Four corner brackets labeled **M2 x4**.
- Eight screws labeled **Vx8**.
- An Allen key icon in a circle.



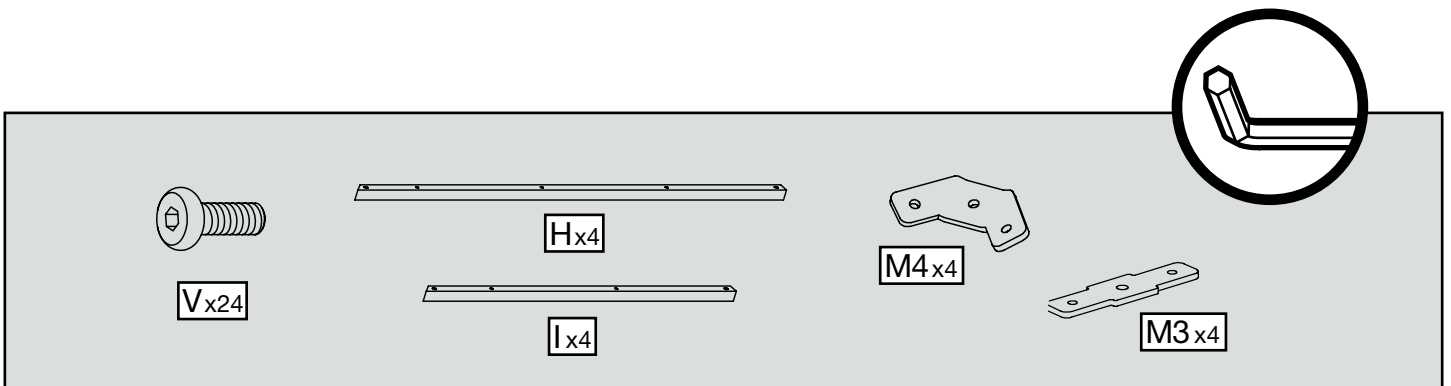
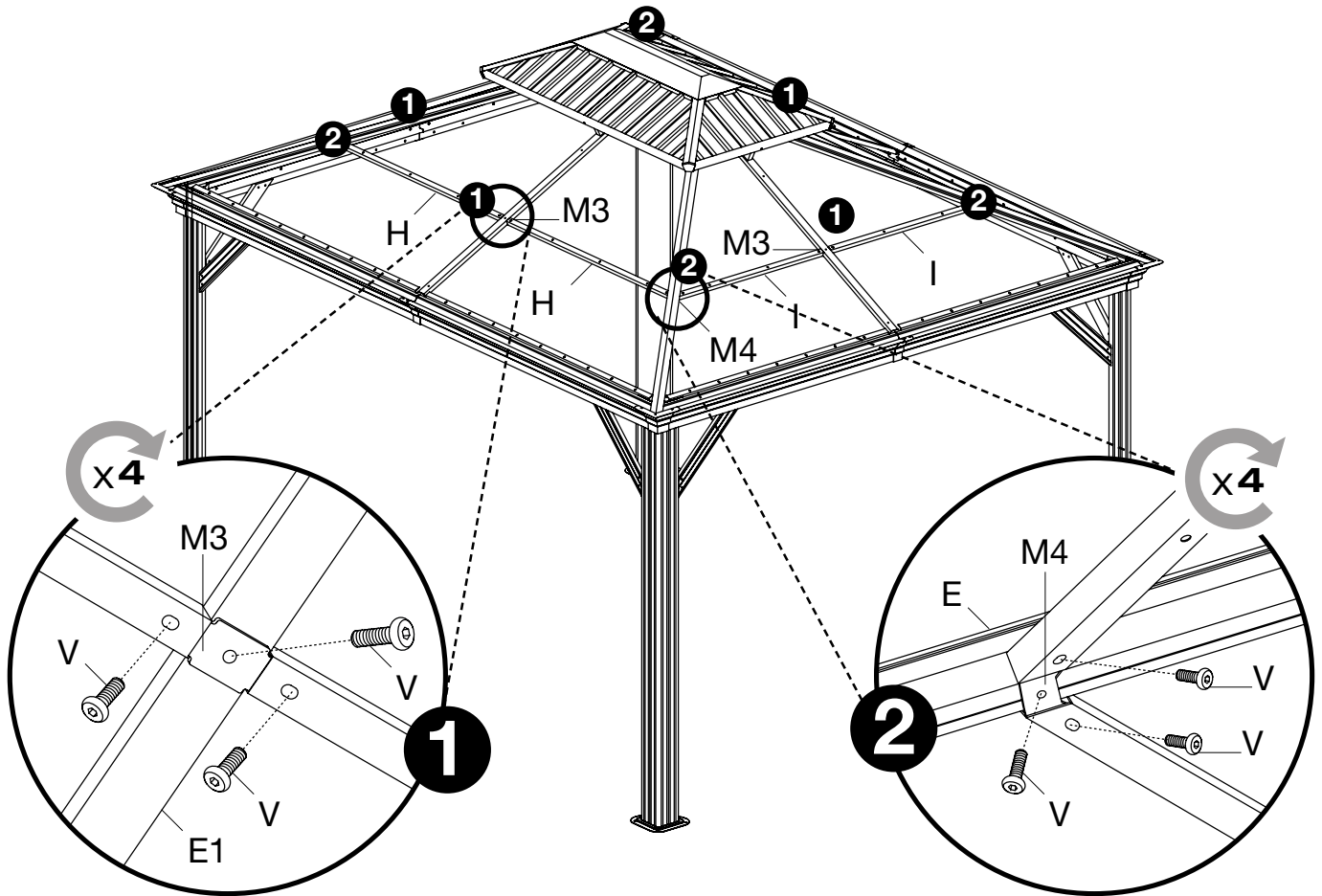
Wa x2

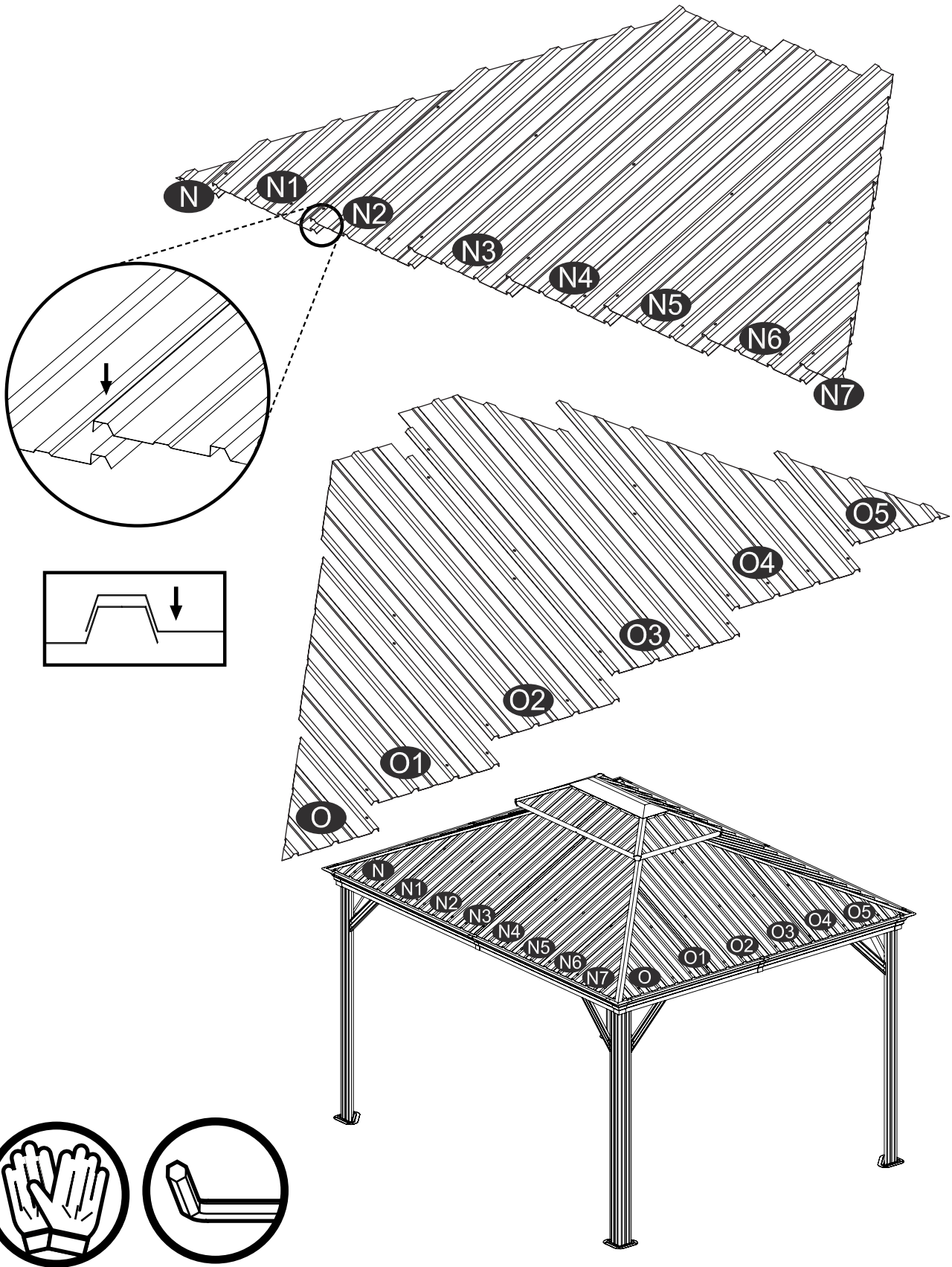


K x1

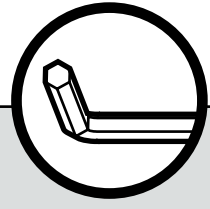
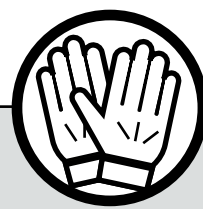
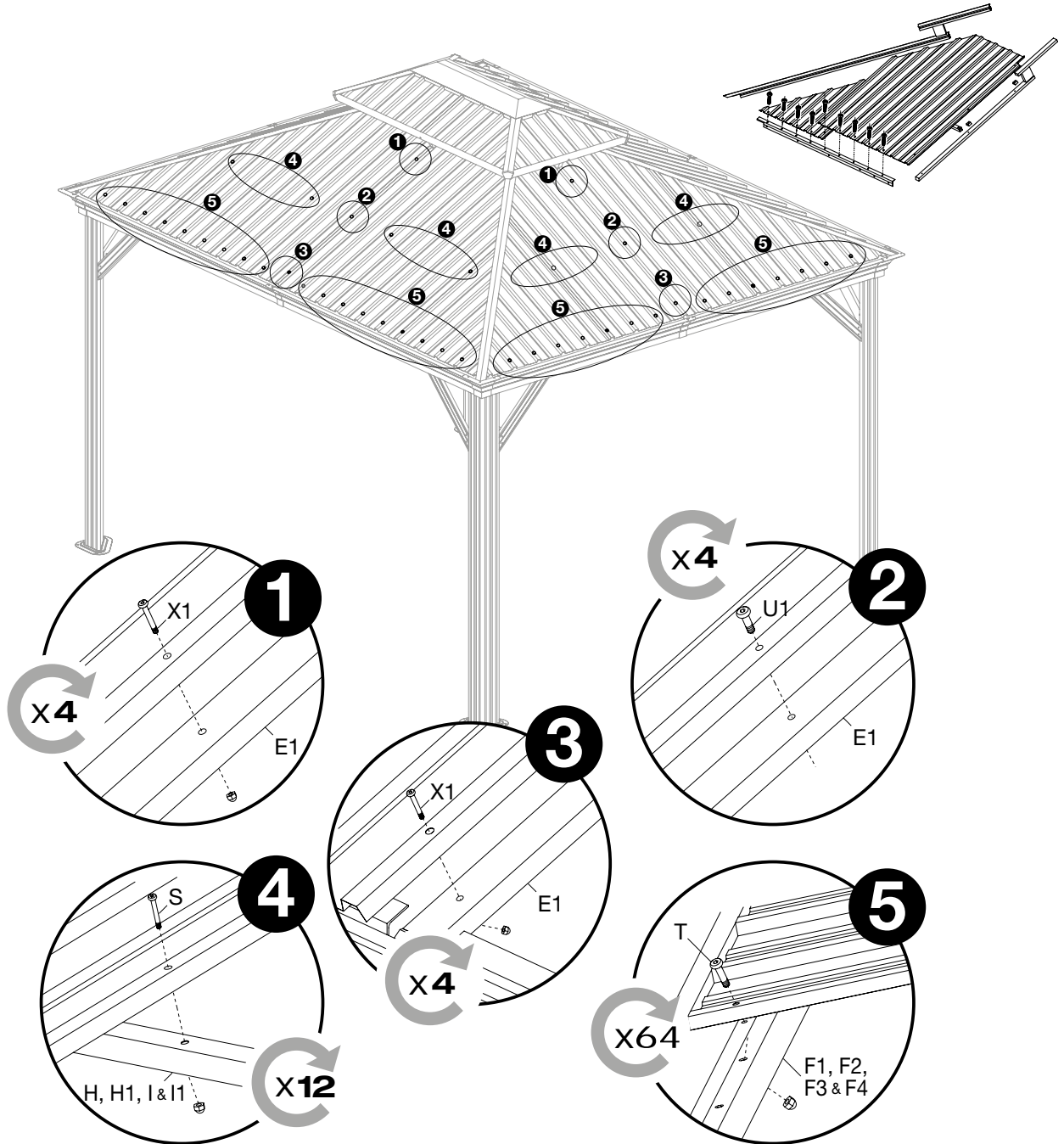


U x1

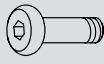




18A/19



Tx64



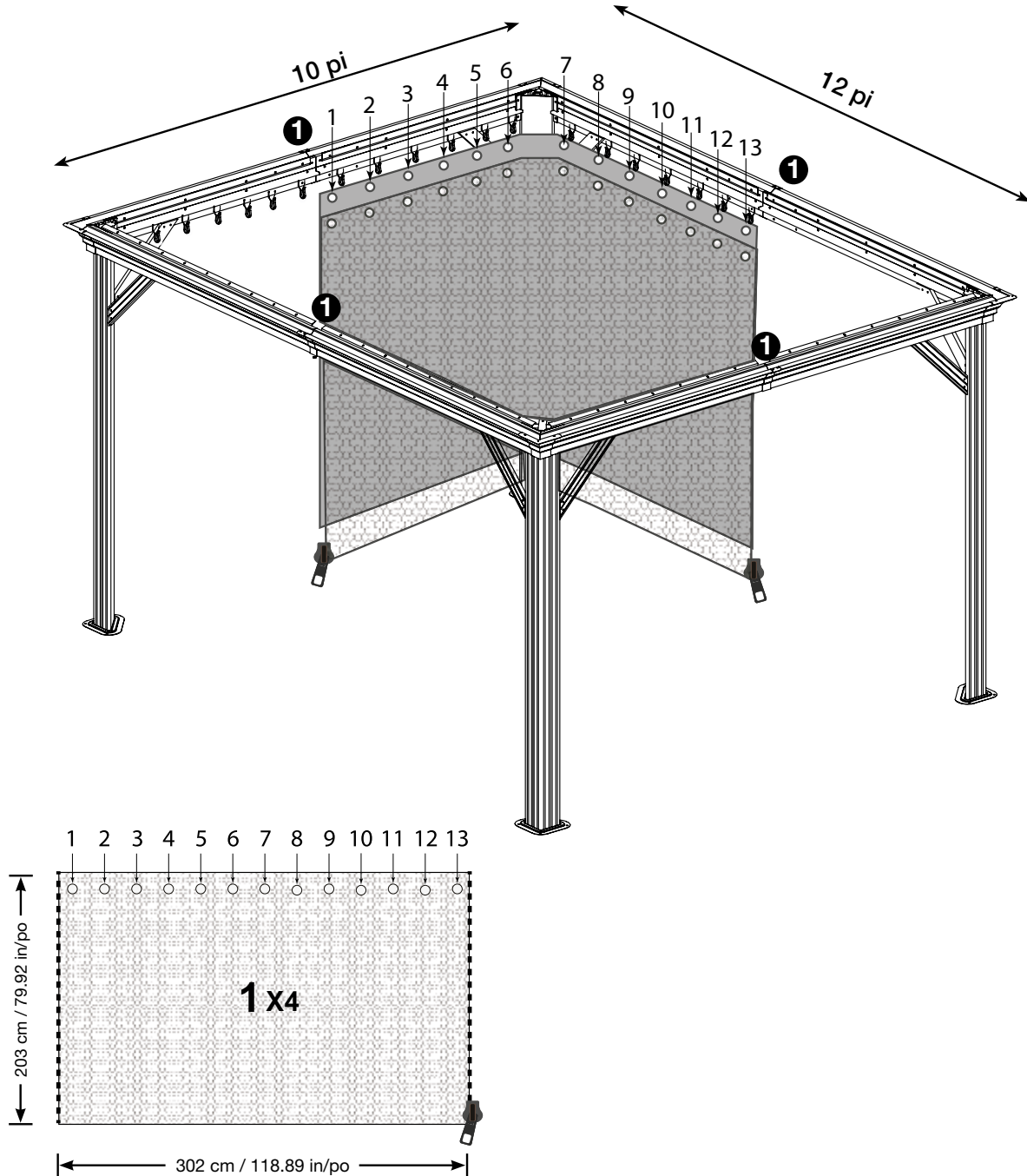
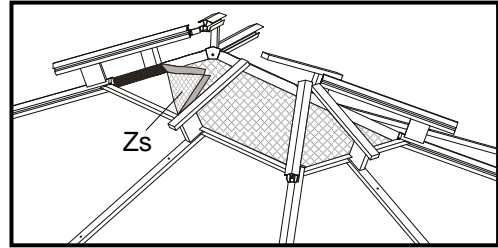
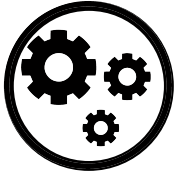
U1x4



X1x8



Sx12



DISTRIBUTED BY:
COSTCO WHOLESALE CORPORATION
P.O. BOX 34535
SEATTLE, WA 98124-1535
USA
1-800-774-2678
WWW.COSTCO.COM

IMPORTADO POR:
IMPORTADORA PRIMEX S.A. DE C.V.
BLVD. MAGNOCENTRO NO. 4
SAN FERNANDO LA HERRADURA
HUIXQUILUCAN, ESTADO DE MÉXICO
C.P. 52765
RFC: IPR-930907-S70
(55)-5246-5500
WWW.COSTCO.COM.MX

COSTCO WHOLESALE SPAIN S.L.U.
POLÍGONO EMPRESARIAL LOS GAVILANES
C/ AGUSTÍN DE BETANCOURT, 17
28906 GETAFE (MADRID) ESPAÑA
NIF: B86509460
900 111 155
WWW.COSTCO.ES

COSTCO WHOLESALE ICELAND EHF.
KAUPTÚN 3-7, 210 GARDABAER
ICELAND
WWW.COSTCO.IS

COSTCO WHOLESALE KOREA, LTD.
40, ILJIK-RO
GWANGMYEONG-SI
GYEONGGI-DO, 14347, KOREA
1899-9900
WWW.COSTCO.CO.KR

COSTCO (CHINA) INVESTMENT CO., LTD.
ROOM 01 MEZZANINE
NO.5178, KANGXIN ROAD,
PUDONG NEW AREA, SHANGHAI
CHINA 201315
+86-21-6257-7065

COSTCO WHOLESALE SWEDEN AB
BOX 614
114 11 STOCKHOLM
SWEDEN
WWW.COSTCO.SE

COSTCO WHOLESALE CANADA LTD.*
415 W. HUNT CLUB ROAD
OTTAWA, ONTARIO
K2E 1C5, CANADA
1-800-463-3783
WWW.COSTCO.CA

* FAISANT AFFAIRE AU QUÉBEC SOUS
LE NOM LES ENTREPÔTS COSTCO

COSTCO WHOLESALE UK LTD /
COSTCO ONLINE UK LTD
HARTSPRING LANE
WATFORD, HERTS
WD25 8JS
UNITED KINGDOM
01923 213113
WWW.COSTCO.CO.UK

COSTCO FRANCE
1 AVENUE DE BRÉHAT
91140 VILLEBON-SUR-YVETTE
FRANCE
01 80 45 01 10
WWW.COSTCO.FR

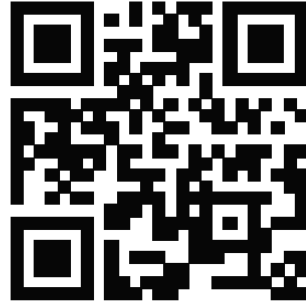
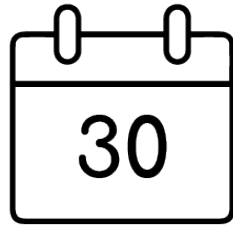
COSTCO WHOLESALE AUSTRALIA PTY LTD
17-21 PARRAMATTA ROAD
LIDCOMBE NSW 2141
AUSTRALIA
WWW.COSTCO.COM.AU

COSTCO WHOLESALE JAPAN LTD.
2 KAKUCHI, 2 GAIKU, KANEDA-NISHI
361 URIKURA, KISARAZU SHI
CHIBA, 292-0007 JAPAN
0570-200-800
WWW.COSTCO.CO.JP

COSTCO WHOLESALE NEW ZEALAND LIMITED
2 GUNTON DRIVE
WESTGATE
AUCKLAND 0814
NEW ZEALAND
WWW.COSTCO.CO.NZ

MADE IN CHINA
FABRIQUÉ EN CHINE
HECHO EN CHINA

Register • Enregistrer • Regístrate
온라인 등록



ShelterLogic.com/product-registration

SOJAG ■ I